

C. R. Leutz, Inc.

Model: SILVER GHOST

Chassis:

Year: Pre 1932

Power:

Circuit:

IF:

Tubes:

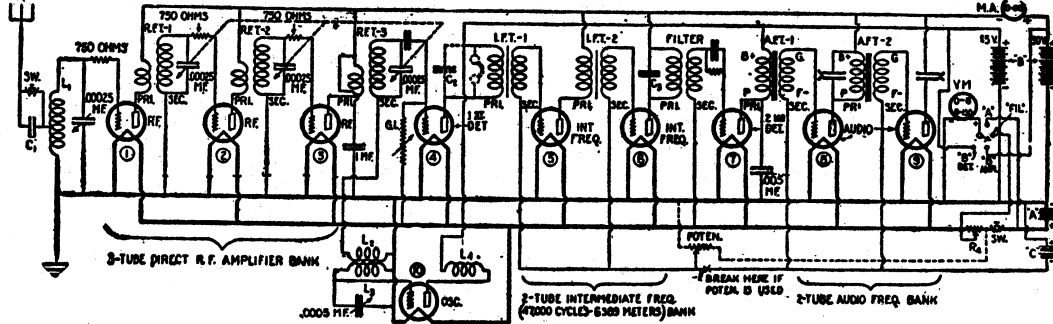
Bands:

Resources

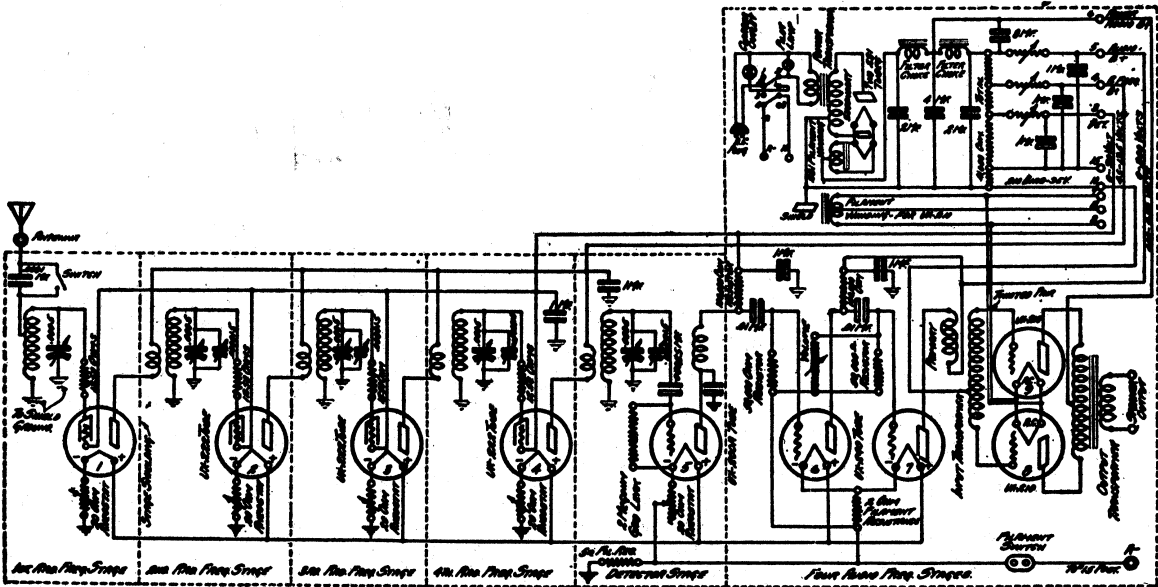
Riders Volume 1 - LEUTZ 1-1

C. R. LEUTZ, INC.

MODEL C-10
MODEL Silver-Ghost
MODEL C



The Experimenters' Information Service Navy Model C-10 super-heterodyne designed for a wave-length range from 600 meters down to 50 meters, the band being covered through the expedient of interchangeable coils.



Circuit Diagram of New "Silver Ghost" Receiver

