

Zenith Radio Corp.

Model: 40A

Chassis:

Year: Pre 1932

Power:

Circuit:

IF:

Tubes:

Bands:

Resources

[Riders Volume 1 - ZENITH 1-11](#)

[Riders Volume 1 - ZENITH 1-12](#)

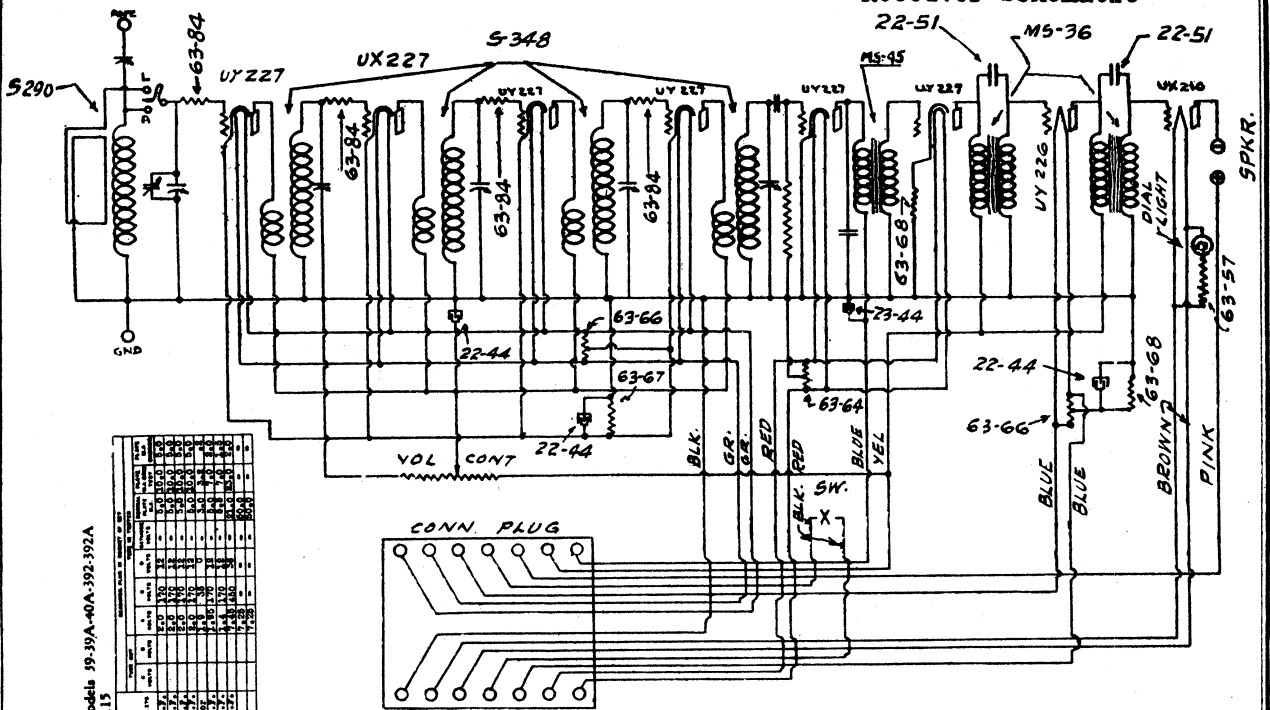
ZENITH RADIO CORP.

MODELS 39, 39-A, 392, 392-A

Receiver Schematic

MODEL 40-A

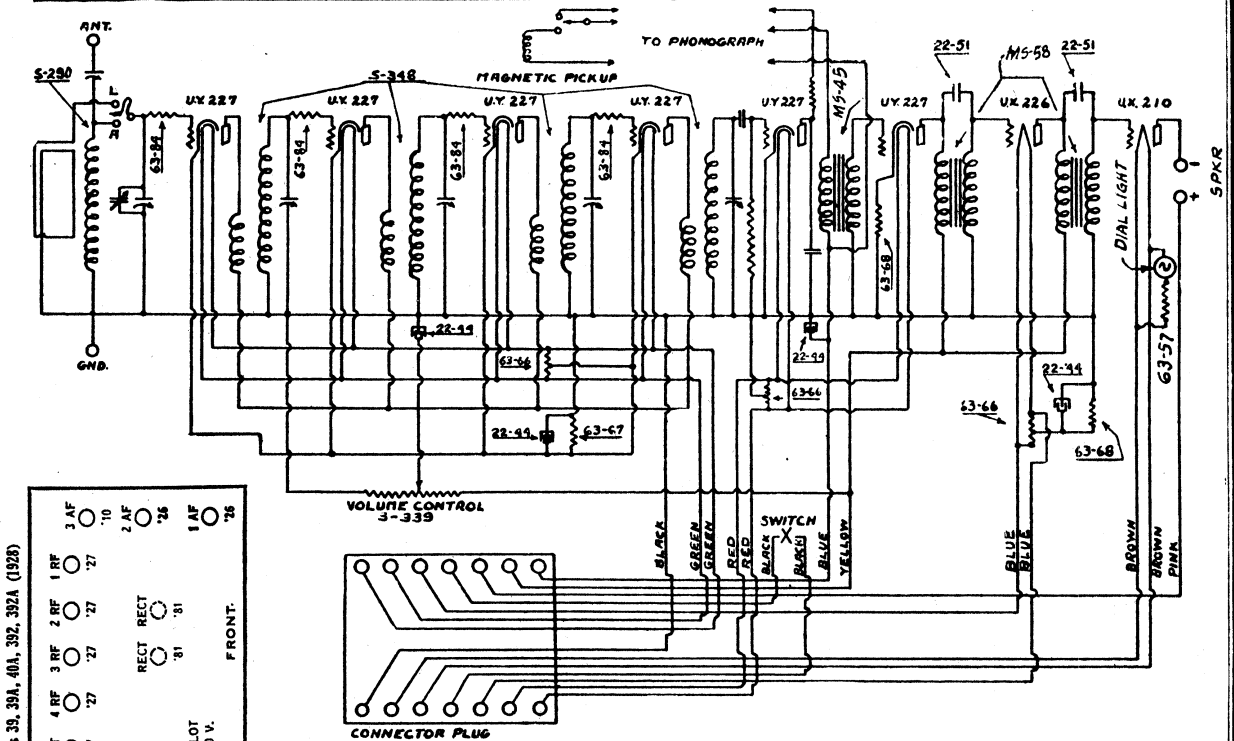
Receiver Schematic



ZENITH—Models 39, 39-A, 392, 392-A
Line Voltage 115

Model	115V	120V	130V	140V	150V	160V	170V	180V	190V	200V	220V	240V
39	1.0	1.0	1.0	1.0	1.0	1.0	1.0	1.0	1.0	1.0	1.0	1.0
39-A	1.0	1.0	1.0	1.0	1.0	1.0	1.0	1.0	1.0	1.0	1.0	1.0
392	1.0	1.0	1.0	1.0	1.0	1.0	1.0	1.0	1.0	1.0	1.0	1.0
392-A	1.0	1.0	1.0	1.0	1.0	1.0	1.0	1.0	1.0	1.0	1.0	1.0
40-A	1.0	1.0	1.0	1.0	1.0	1.0	1.0	1.0	1.0	1.0	1.0	1.0

WIRING DIAGRAM
MODELS 39-39 A-392-392A ZENITH RADIO CORPORATION
CHICAGO ILLINOIS
DATE 4-17-40 DRG 123-43



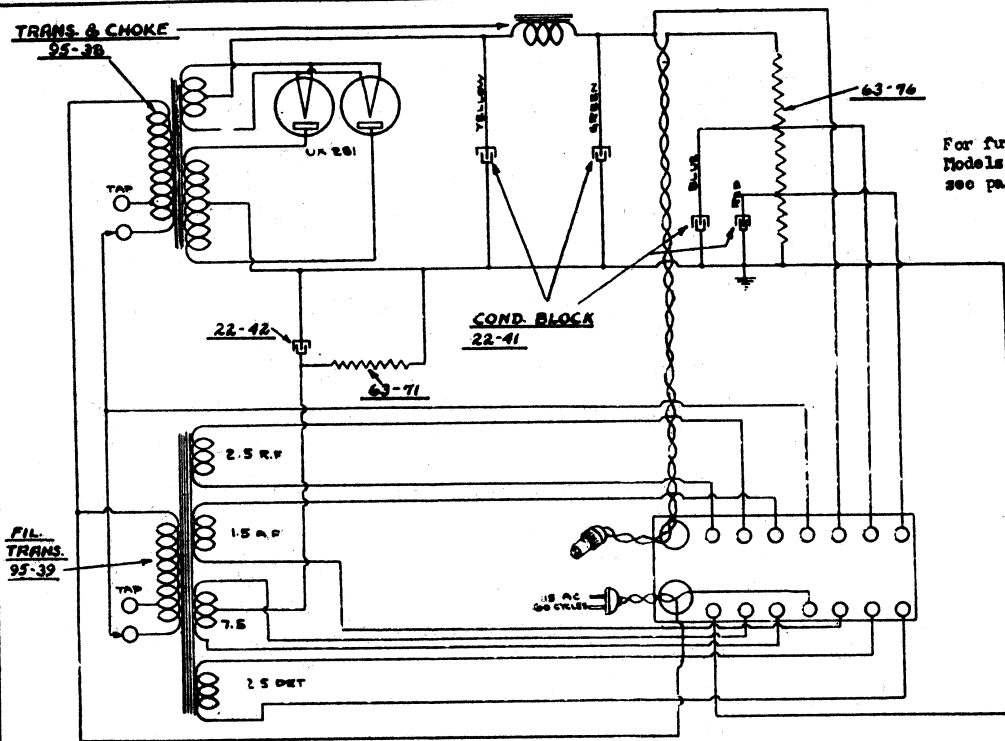
Models 39, 39A, 40A, 392, 392A (1928)

Model	115V	120V	130V	140V	150V	160V	170V	180V	190V	200V	220V	240V
39	1.0	1.0	1.0	1.0	1.0	1.0	1.0	1.0	1.0	1.0	1.0	1.0
39A	1.0	1.0	1.0	1.0	1.0	1.0	1.0	1.0	1.0	1.0	1.0	1.0
40A	1.0	1.0	1.0	1.0	1.0	1.0	1.0	1.0	1.0	1.0	1.0	1.0
392	1.0	1.0	1.0	1.0	1.0	1.0	1.0	1.0	1.0	1.0	1.0	1.0
392A	1.0	1.0	1.0	1.0	1.0	1.0	1.0	1.0	1.0	1.0	1.0	1.0

FRONT.
PILOT 6.0 V.

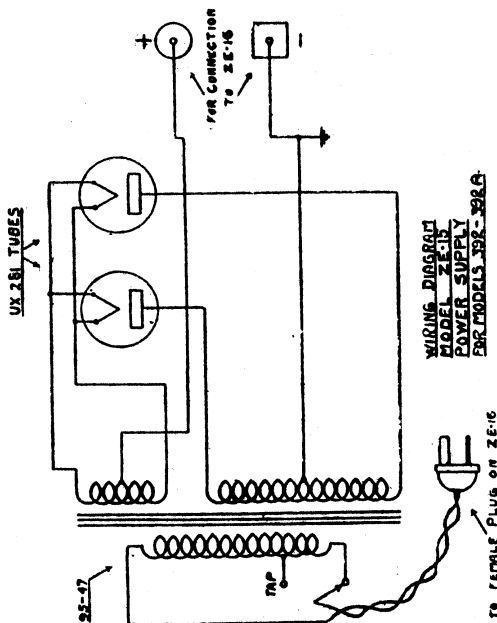
WIRING DIAGRAM
MODEL 40A ZENITH RADIO CORPORATION
CHICAGO ILL.
4-27-28 DRG 123-51

MODEL ZE-12 for 39,39-A,40-A
 MODEL ZE-15 for 392,392-A ZENITH RADIO CORP.
 MODEL ZE-16 Filter for above

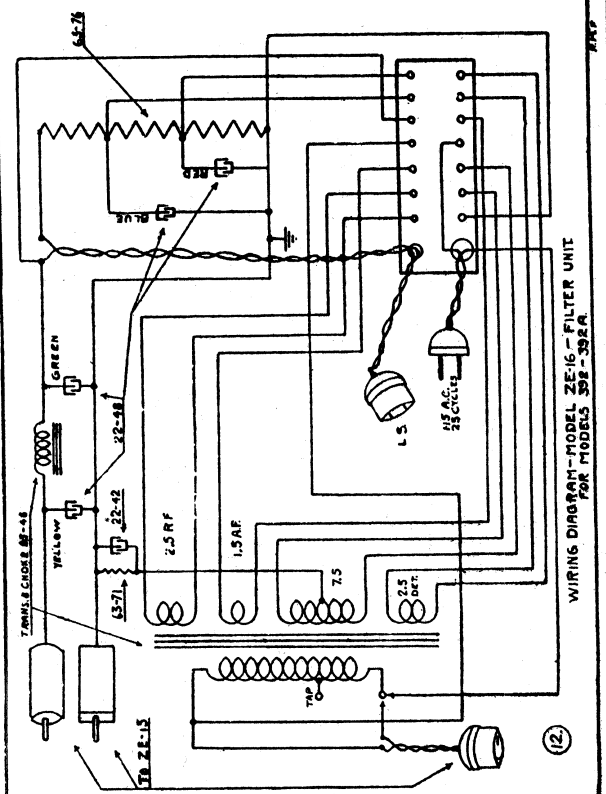


For further data on Models 39, 39-A, 40-A see page 674.

ZE 12 POWER SUPPLY FOR MODELS 39-39 A-40 A



(11)



(12)