

## Sears Roebuck & Co.

**Model:** 1923

**Chassis:**

**Year:** Pre October 1936

**Power:**

**Circuit:**

**IF:**

**Tubes:**

**Bands:**

### Resources

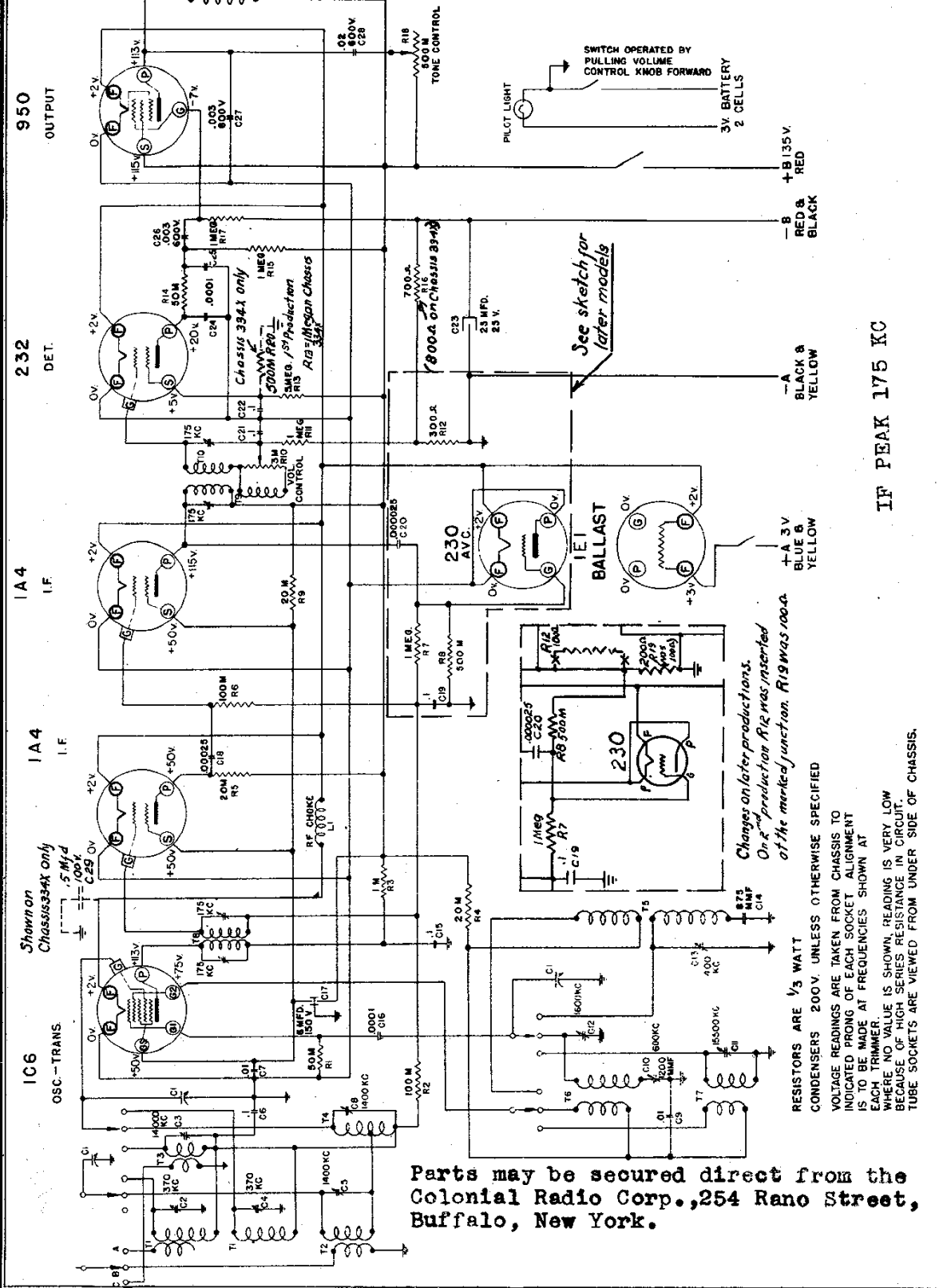
[Riders Volume 7 - SEARS 7-26](#)

[Riders Volume 7 - SEARS 7-27](#)

SEARS-ROEBUCK & CO.

Chassis 334, 334X  
Schematic, Changes

MODELS 1923, 1933  
1983, 1993



IF PEAK 175 KC

RESISTORS ARE 1/2 WATT  
 CONDENSERS 200V, UNLESS OTHERWISE SPECIFIED  
 VOLTAGE READINGS ARE TAKEN FROM CHASSIS TO  
 INDICATED PRONG OF EACH SOCKET ALIGNMENT  
 IS TO BE MADE AT FREQUENCIES SHOWN AT  
 EACH TRIMMER.  
 WHERE NO VALUE IS SHOWN, READING IS VERY LOW  
 BECAUSE OF HIGH SERIES RESISTANCE IN CIRCUIT.  
 TUBE SOCKETS ARE VIEWED FROM UNDER SIDE OF CHASSIS.

Parts may be secured direct from the  
 Colonial Radio Corp., 254 Rano Street,  
 Buffalo, New York.

