

Philco Radio & Television Corp.

Model: 610PF

Chassis:

Year: Pre October 1936

Power:

Circuit:

IF:

Tubes:

Bands:

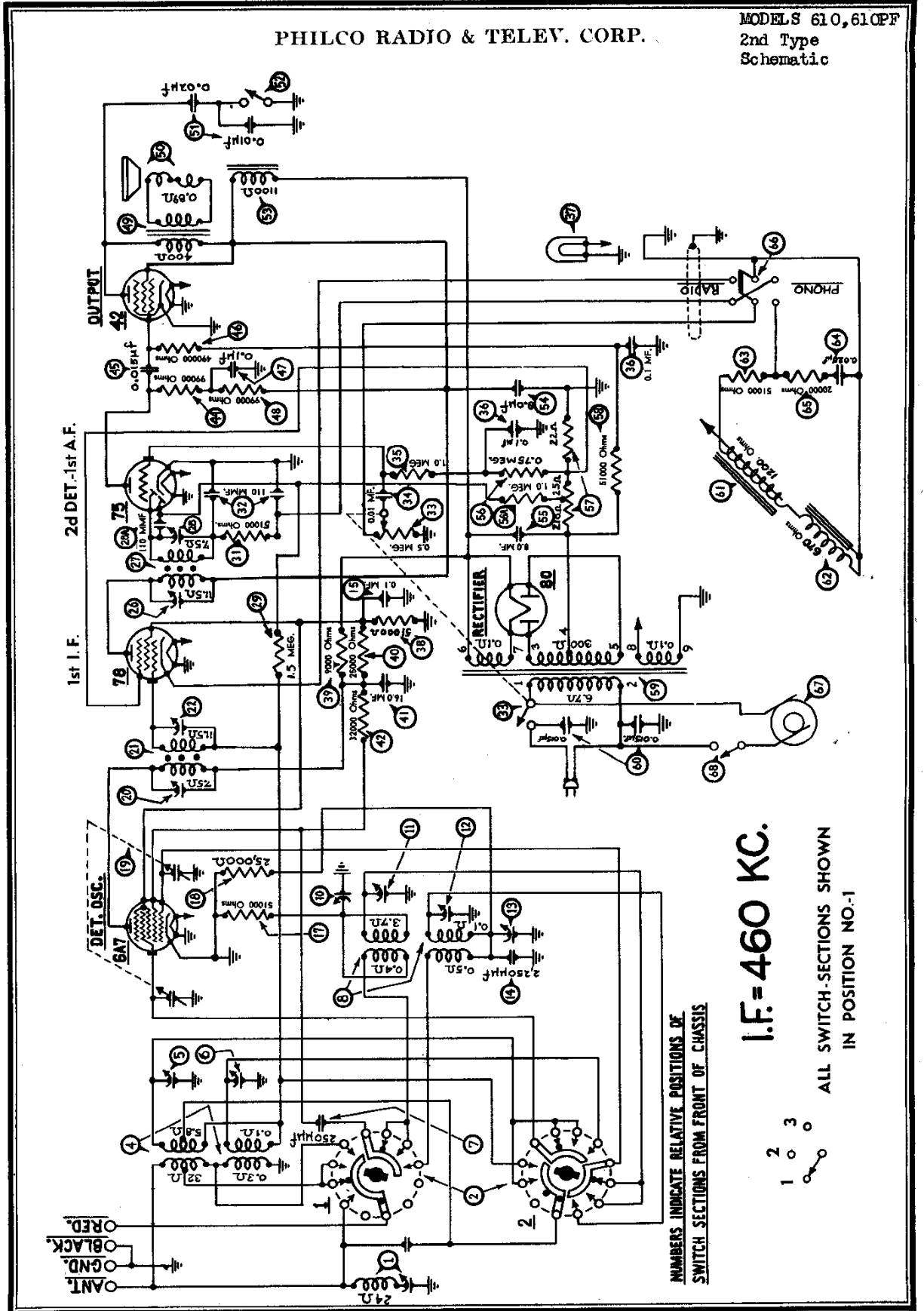
Resources

[Riders Volume 7 - PHILCO 7-87](#)

[Riders Volume 7 - PHILCO 7-88](#)

PHILCO RADIO & TELEV. CORP.

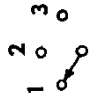
MODELS 610, 610PF
2nd Type
Schematic



NUMBERS INDICATE RELATIVE POSITIONS OF SWITCH SECTIONS FROM FRONT OF CHASSIS

I.F. = 460 KC.

ALL SWITCH-SECTIONS SHOWN IN POSITION NO.-1



MODELS 610, 610FF
Changes, Parts

PHILCO RADIO & TELEV. CORP.

Later 1935 Production Runs

This sheet supplements the regular bulletin No. 217 on the Philco 610 and also covers the Philco Radio-Phonograph 610FF. All circuit and part number changes up to date have been included.

Beginning with run No. 9 the grid bias arrangement for the 6A7 1st detector and 78 I.F. was changed. A fixed bias

from the B.C. resistor is fed through the AVC circuit to the grids of these tubes.

Beginning with run No. 11 the oscillator circuit was changed to series feed to eliminate possibilities of failure at 6.0 mc.

Beginning with run No. 14 the dial mask assembly was changed to the glowing arrow wave band indicator type.

PARTS LIST

Description	Part No.	List Price	Description	Part No.	List Price
① Wavetrap	38-6777	\$1.00	⊕ Condenser (.1 Mfd. Tubular).....	30-4170	\$0.35
① Waveband Switch	42-1152	1.75	⊕ Resistor (.1 Meg.) (White, White, Yellow)....	6099	.20
④ Antenna Transformer	32-1669	1.15	⊕ Output Transformer	32-7019	1.25
⊕ Compensating Condenser (Antenna, Standard)			⊕ Cone & Voice Coil Assembly (P-27 Speaker)...	02861	.65
Part of 31-6047		.50	⊕ Condensers (in Tone Control).....	Part of ⊕
⊕ Compensating Condenser (Antenna, S.W.)			⊕ Tone Control	30-4318	.50
Part of 31-6047		.50	⊕ Field Coil & Pot Assembly (P-27 Speaker).....	36-3341	2.75
⑦ Condenser (.00025 Mfd. Mica).....	30-1032	.20	⊕ Condenser (Electrolytic—8 Mfd.).....	30-2025	1.35
⑧ Oscillator Transformer	32-1973	1.00	⊕ Resistor (750000 ohms) (Violet, Green, Yellow)		
⑩ Compensating Condenser (Osc. L.F. Standard)			(1/2 Watt)	33-1203	.20
(Screw)	Part of 31-6027	.70	⊕ Condenser (Electrolytic) (8 Mfd.).....	30-2025	1.35
⑩ Compensating Condenser (Osc. H.F., Standard)			⊕a Resistor (1. Megohm) (Brown, Black, Green)...	33-1096	.20
Part of 31-6047		.50	⊕ Resistor (B.C. Wire-wound, 22 ohms, 25 ohms,		
⊕ Compensating Condenser (Osc. S.W., H.F. End)			210 ohms).....	33-3222	.20
Part of 31-6047		.50	⊕ Resistor (50000 ohms) (Green, Brown, Orange)	6098	.20
⑩ Compensating Condenser (Osc. S.W., L.F. End)			⊕ Power Transformer (110 volts; 60 cycles).....	32-7381	4.00
(Nut)	Part of 31-6027	.70	(110 volts, 25 cycles).....	32-7382	6.25
⑬ Condenser (.00225 Mfd. Mica).....	30-1055	.40	(230 volts, 50 cycles).....	32-7383	4.50
⑭ Resistor (50000 ohms) (Green, Brown, Orange)	6098	.20	⊕ Condenser (.015 Mfd. Twin Bakelite Block)...	3793-DG	.40
⑮ Resistor (25000 ohms) (Red, Green, Orange)...	33-1013	.20	⊕ Pickup Head	35-2014	7.25
⑰ Tuning Condenser Assembly.....	31-1740	⊕ Hum Bucking Coil	32-1940	1.10
⊕ Compensating Condenser (1st I.F. Primary)...	Part of ⊕	⊕ Resistor (51,000 ohm).....	6098	.20
⑳ 1st I.F. Transformer.....	32-1671	1.35	⊕ Resistor (20,000 ohm).....	33-1178	.20
⊕ Compensating Condenser (1st I.F. Secondary)...	Part of ⊕	⊕ Condenser (.025 mf.).....	7653-SU	.35
⊕ Condenser (.05 Mfd. Tubular).....	30-4020	.35	⊕ Phono. Radio Switch & Cable Assy.....	35-3014	1.30
⊕ Compensating Condenser (2nd I.F. Primary)...	Part of ⊕	⊕ Phono. Radio Motor (115 V., 60 cycles).....	35-1116	18.00
㉑ 2nd I.F. Transformer.....	32-1672	1.35	⊕ Phono. Radio Motor Switch.....	4535	.75
⊕ Compensating Condenser (2nd I.F. Secondary)...	Part of ⊕	Glowing Arrow Mask	27-5162	.20
⊕ Resistor (2 Megs.) (Red, Black, Green).....	33-1188	.20	Glowing Arrow Screen	27-5161	.10
⊕ Resistor (50000 ohms) (Green, Brown, Orange)	6098	.20	Mask Arm	29-3274
⊕ Condenser (.00011 Twin Bakelite Block).....	8035-DG	.25	Link	29-3285	.04
⊕ Volume Control & On-Off Switch.....	33-5106	1.45	Coupling	29-3586	.10
⊕ Condenser (.01 Mfd. Bakelite Block).....	3903-SU	.25	Screen Bracket Assy.....	31-1745
⊕ Resistor (1 Meg.) (Brown, Black, Green).....	33-1096	.20	Dial Mask	27-5137	.15
⊕ Condenser (.1 Mfd. Twin Bakelite Block).....	4989-DG	.40	Dial Assembly	31-1539	.30
⊕ Pilot Lamp	34-2039	.09	Tube Shield Body	28-2726	.10
⊕ Resistor (50000 ohms) (Green, Brown, Orange)	4237	.20	Tube Shield Base.....	28-2725	.03
⊕ Resistor (9000 ohms) (Black, White, Orange)...	33-1215	.20	Four Prong Socket.....	27-6034	.10
⊕ Resistor (25000 ohms) (Red, Green, Orange)...	3656	.20	Six Prong Socket.....	27-6036	.11
⊕ Condenser (Electrolytic—16 Mfd.).....	30-2118	1.65	Seven Prong Socket.....	27-6037	.11
⊕ Resistor (32000 ohms) (Orange, Red, Orange)...	5279	.20	Knob (Station Selector).....	27-4206	.12
⊕ Resistor (.1 Meg.) (Brown, Black, Green).....	6099	.20	Knob (Fine Tuning).....	27-4207	.10
⊕ Condenser (.015 Mfd. Bakelite Block).....	3793-SU	.35	Knob (Volume, Waveband and Tone Control)...	27-4208	.10
⊕ Resistor (.5 Meg.) (Yellow, White, Yellow)....	6097	.20	Bezel	28-2928	.35
			Bezel Glass	27-7887	.60

PRICES SUBJECT TO CHANGE WITHOUT NOTICE