

Grigsby-Grunow Co.

Model: 600 AC-DC

Chassis:

Year: Pre October 1934

Power:

Circuit:

IF:

Tubes:

Bands:

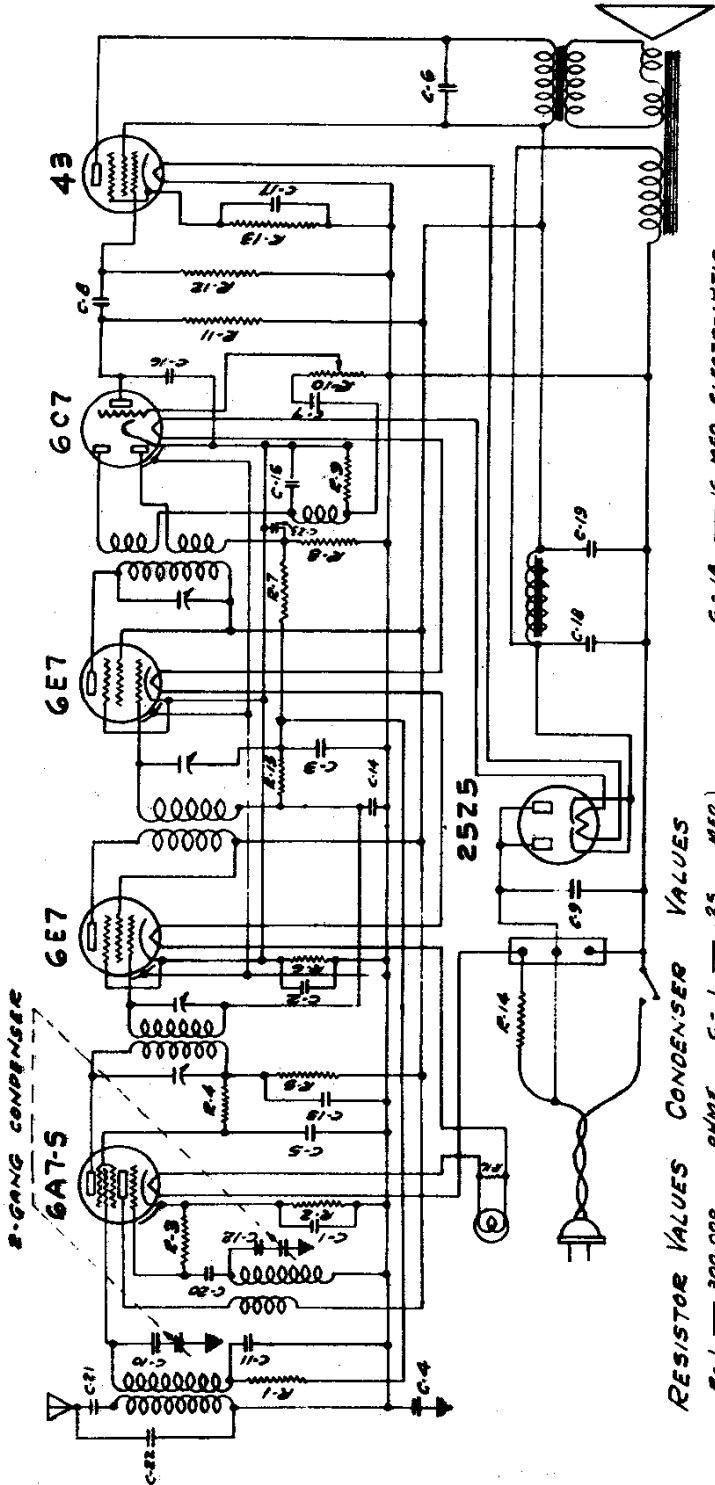
Resources

Riders Volume 5 - MAJESTIC 5-4

MODEL 600 AC-DC
Schematic

GRIGSBY - GRUNOW CO.

SCHEMATIC DIAGRAM OF MAJESTIC MODEL 600 AC-DC RECEIVER



RESISTOR VALUES	CONDENSER VALUES
R-1 — 300,000	C-1 — .25 MFD.
R-2 — 400	C-2 — .25
R-3 — 50,000	C-3 — .25
R-4 — 6,000	C-4 — .5
R-5 — 1,000	C-5 — .1
R-6 — 140	C-6 — .03
R-7 — 100,000	C-7 — .03
R-8 — 200,000	C-8 — .1
R-9 — 200,000	C-9 — .1
R-10 — 200,000 V.C.	C-10 — .01
R-11 — 100,000	C-11 — .01
R-12 — 500,000	C-12 — .01
R-13 — 700	C-13 — .05
R-14 — 100	C-14 — .01
R-15 — 200,000	C-15 — .0005
R-16 — 34.5	C-16 — .0005
	C-17 — 10, ELECTROLYTIC

RESISTOR VALUES	CONDENSER VALUES
C-18 — 16. MFD. ELECTROLYTIC	C-19 — B.
C-20 — .0005 MFD.	C-21 — .001
C-22 — .00005	C-23 — .0005

BY MASS ASSEM.

BY MASS ASSEM.