

Climax Radio & Television Co, Inc.

Model: ME

Chassis:

Year: Pre October 1937

Power:

Circuit:

IF:

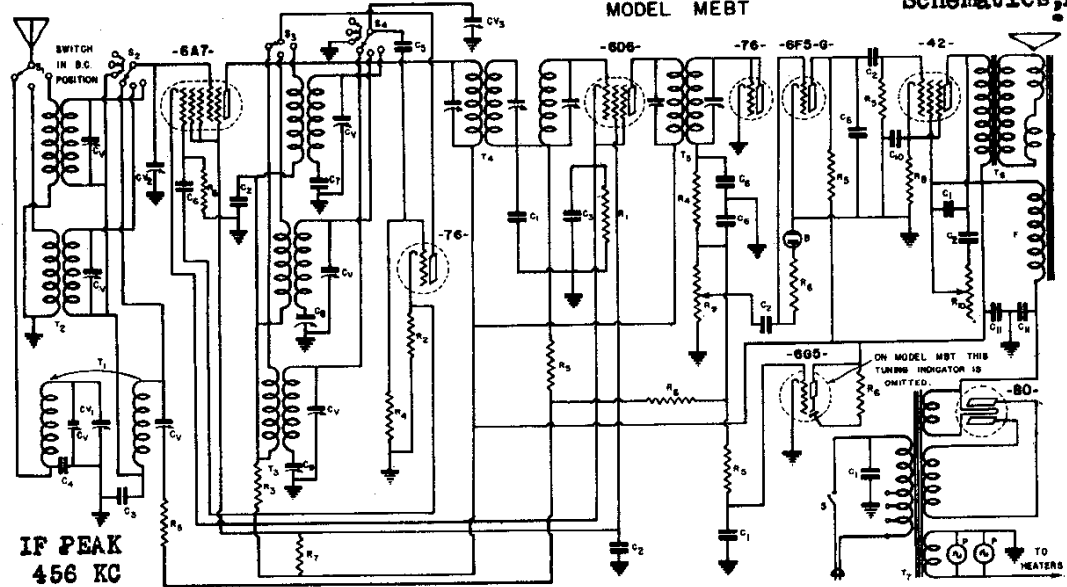
Tubes:

Bands:

Resources

Riders Volume 8 - CLIMAX 8-11

CLIMAX RADIO & TELEV. CO., INC. MODELS M, ME (Revised)
LONGWAVE 3 BAND SUPERHETERODYNE RECEIVER - AC OPERATED MODEL MEBT
MODEL MEBT Schematics, Parts



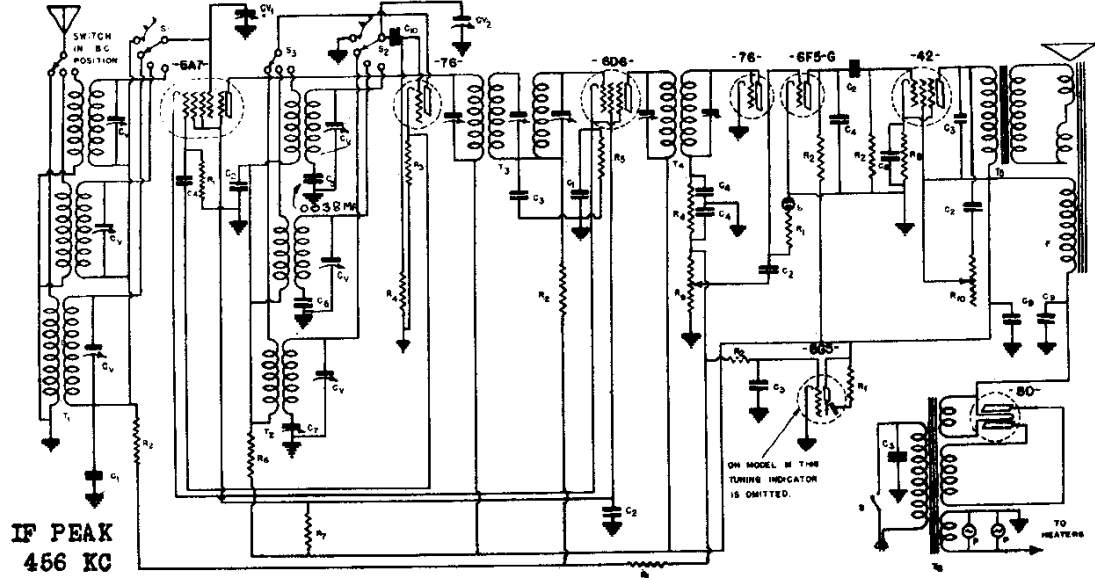
**IF PEAK
456 KC**

LEGEND	PART NO.	DESCRIPTION
C ₁	211	01 MFD-400V. TUBULAR CONDENSER
C ₂	208	05 MFD-400V. TUBULAR CONDENSER
C ₃	203	1 MFD-200V. TUBULAR CONDENSER
C ₄	214	01 MFD-25V. TUBULAR CONDENSER
C ₅	418	00005 MICA CONDENSER
C ₆	401	00005 MICA CONDENSER
C ₇	413	00018 MICA CONDENSER
C ₈	117	5 PLATE PADDING CONDENSER
C ₉	308	3 PLATE PADDING CONDENSER
C ₁₀	304	10 MFD 25 W.V. ELECTROLYTIC COND.
C ₁₁	317	8 MFD 450 W.V. ELECTROLYTIC COND.
C ₁₂	300	5-30 MFD TRIMMER CONDENSER

LEGEND	PART NO.	DESCRIPTION
CV-2-3	813	3 GANG VARIABLE CONDENSER
R ₁	103	250 OHM 1/2 WATT CARBON RESISTOR
R ₂	105	1000 OHM 1/2 WATT CARBON RESISTOR
R ₃	111	25,000 OHM 1/2 WATT CARBON RESISTOR
R ₄	113	50,000 OHM 1/2 WATT CARBON RESISTOR
R ₅	117	1 MEG OHM 1/2 WATT CARBON RESISTOR
R ₆	119	1 MEG OHM 1/2 WATT CARBON RESISTOR
R ₇	112	25,000 OHM 1/2 WATT CARBON RESISTOR
R ₈	122	420 OHM 2 WATT WIRE WOUND RESISTOR
R ₉	201	500,000 OHM VOLUME CONTROL
R ₁₀	2012	75,000 OHM TONE CONTROL & SWITCH

LEGEND	PART NO.	DESCRIPTION
T ₁	1014	LONG-WAVE PRESELECTOR COIL
T ₂	1221	BC 8 SHIP-BAND ANTENNA COIL
T ₃	1011	LONG-WAVE 3 BAND OSCILLATOR COIL
T ₄	1508	TRIPLE TUNE I.F. TRANSFORMER
T ₅	1508	DIODE I.F. TRANSFORMER
T ₆	1511	SPEAKER TRANSFORMER
T ₇	1013	POWER TRANSFORMER
T ₈	112	1500 OHM SPEAKER FIELD
S	1012	2 GANG BAND SWITCH
SW	2000	SWITCH ON VOLUME CONTROL
P	2803	MAZDA #46 PILOT LIGHT

MODELS M & ME 8(7) TUBE 3 BAND SUPERHETERODYNE RECEIVER - AC OPERATED



**IF PEAK
456 KC**

LEGEND	PART NO.	DESCRIPTION
C ₁	203	1 MFD-200V. TUBULAR CONDENSER
C ₂	208	05 MFD-400V. TUBULAR CONDENSER
C ₃	211	01 MFD-400V. TUBULAR CONDENSER
C ₄	400	00005 MICA CONDENSER
C ₅	413	00018 MICA CONDENSER
C ₆	401	00005 MICA CONDENSER
C ₇	536	5 PLATE PADDING CONDENSER
C ₈	300	5-30 MFD TRIMMER CONDENSER
C ₉	304	10 MFD 25 W.V. TUBULAR ELECTROLYTIC COND.
C ₁₀	317	8 MFD 450 W.V. TUBULAR ELECTROLYTIC COND.
C ₁₁	412	00005 MFD MICA CONDENSER

LEGEND	PART NO.	DESCRIPTION
CV-2-3	811	2 GANG VARIABLE CONDENSER
R ₁	119	1 MEG OHM 1/2 WATT CARBON RESISTOR
R ₂	117	1 MEG OHM 1/2 WATT CARBON RESISTOR
R ₃	105	1000 OHM 1/2 WATT CARBON RESISTOR
R ₄	113	50,000 OHM 1/2 WATT CARBON RESISTOR
R ₅	103	250 OHM 1/2 WATT CARBON RESISTOR
R ₆	111	25,000 OHM 1/2 WATT CARBON RESISTOR
R ₇	112	25,000 OHM 1/2 WATT CARBON RESISTOR
R ₈	122	420 OHM 2 WATT WIRE WOUND RESISTOR
R ₉	201	500,000 OHM VOLUME CONTROL
R ₁₀	2012	75,000 OHM TONE CONTROL AND SWITCH

LEGEND	PART NO.	DESCRIPTION
T ₁	1015	SHIELDED 3 BAND ANTENNA COIL
T ₂	1406	SHIELDED 3 BAND OSCILLATOR COIL
T ₃	1508	TRIPLE TUNE I.F. TRANSFORMER
T ₄	1508	DIODE I.F. TRANSFORMER
T ₅	1511	SPEAKER TRANSFORMER
T ₆	1013	POWER TRANSFORMER
S	1012	2 GANG BAND SWITCH
P	2800	MAZDA #46 PILOT LIGHT
SW	2000	SWITCH ON TONE CONTROL
F	15	1500 OHM SPEAKER FIELD
B	2000	BIAS CELL