

Zenith Radio Corp.

Model: 12-S-471

Chassis:

Year: Pre June 1940

Power:

Circuit:

IF:

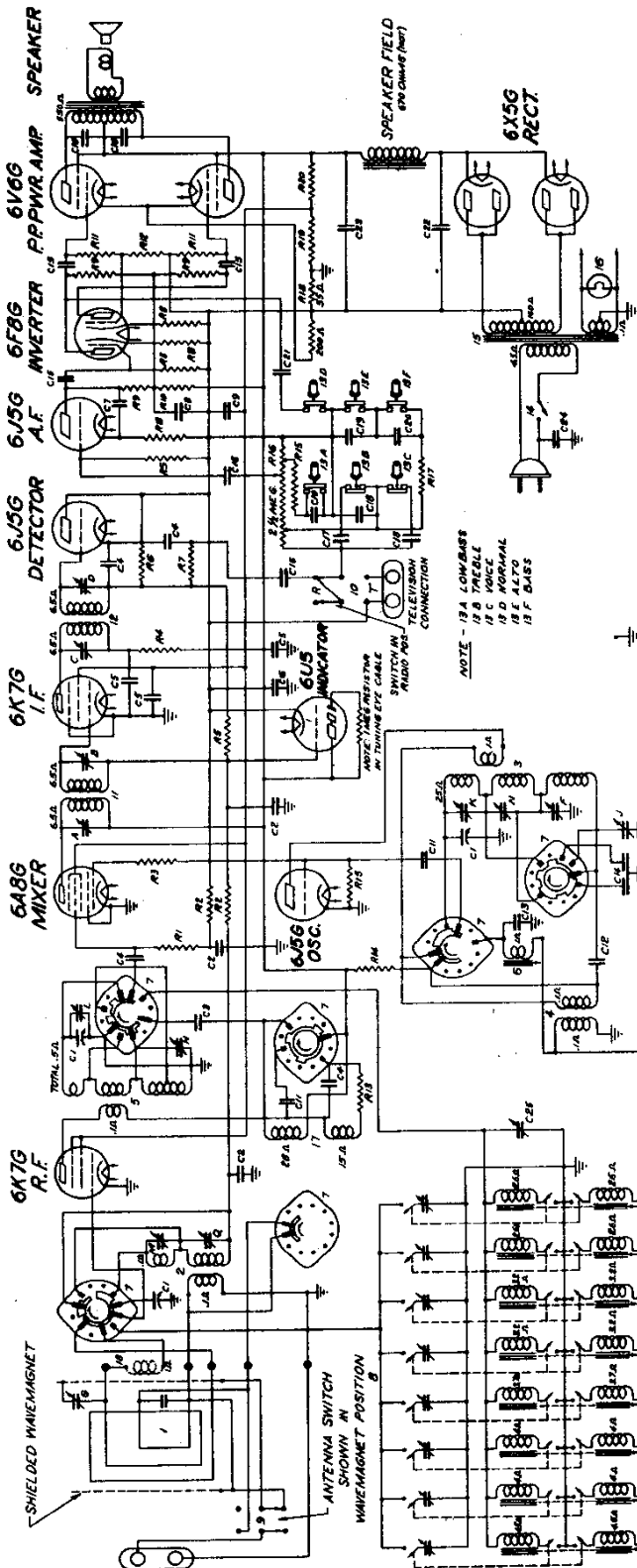
Tubes:

Bands:

Resources

Riders Volume 11 - ZENITH 11-25

ZENITH RADIO CORP. MODELS 12S445, 12S453, 12S471
 12S475, 12S494
 Chassis 1207
 Schematic



- MODEL SPEAKER
 12S445 49-346 8"
 12S453 49-351 10"
 12S471 49-352 12"
 12S475 49-354 15"
 12S494 49-355 15"

I.F. FREQUENCY 455 KC.

12 TUBE SUPERHETERODYNE
 CHASSIS N°1207 A.C. 3 BAND

FOR OTHER DATA
 SEE INDEX

NOTE - 12 A LOW-BASS
 12 B TREBLE
 12 C NORMAL
 12 D ALTO
 12 F BASS

⊕ DENOTES CHASSIS "GROUND"

BAND SWITCH SHOWN IN
 PLUCE POSITION

COMPONENT	DESCRIPTION	PART NO.	DESCRIPTION	PART NO.	DESCRIPTION	REMARKS
C1	50-50 TRIPLE GANG VARIABLE	2804	60K	60K	12 I.F. TRANS. PAI	
C2	50-50 TRIPLE GANG VARIABLE	2804	60K	60K	12 I.F. TRANS. SEC	
C3	50-50 TRIPLE GANG VARIABLE	2804	60K	60K	12 I.F. TRANS. TERT	
C4	50-50 TRIPLE GANG VARIABLE	2804	60K	60K	12 I.F. TRANS. QUAT	
C5	50-50 TRIPLE GANG VARIABLE	2804	60K	60K	12 I.F. TRANS. QUINT	
C6	50-50 TRIPLE GANG VARIABLE	2804	60K	60K	12 I.F. TRANS. HEX	
C7	50-50 TRIPLE GANG VARIABLE	2804	60K	60K	12 I.F. TRANS. SEPT	
C8	50-50 TRIPLE GANG VARIABLE	2804	60K	60K	12 I.F. TRANS. OCT	
C9	50-50 TRIPLE GANG VARIABLE	2804	60K	60K	12 I.F. TRANS. NONET	
C10	50-50 TRIPLE GANG VARIABLE	2804	60K	60K	12 I.F. TRANS. TENTH	
C11	50-50 TRIPLE GANG VARIABLE	2804	60K	60K	12 I.F. TRANS. ELEVENTH	
C12	50-50 TRIPLE GANG VARIABLE	2804	60K	60K	12 I.F. TRANS. TWELFTH	
C13	50-50 TRIPLE GANG VARIABLE	2804	60K	60K	12 I.F. TRANS. THIRTEENTH	
C14	50-50 TRIPLE GANG VARIABLE	2804	60K	60K	12 I.F. TRANS. FOURTEENTH	
C15	50-50 TRIPLE GANG VARIABLE	2804	60K	60K	12 I.F. TRANS. FIFTEENTH	
C16	50-50 TRIPLE GANG VARIABLE	2804	60K	60K	12 I.F. TRANS. SIXTEENTH	
C17	50-50 TRIPLE GANG VARIABLE	2804	60K	60K	12 I.F. TRANS. SEVENTEENTH	
C18	50-50 TRIPLE GANG VARIABLE	2804	60K	60K	12 I.F. TRANS. EIGHTEENTH	
C19	50-50 TRIPLE GANG VARIABLE	2804	60K	60K	12 I.F. TRANS. NINETEENTH	
C20	50-50 TRIPLE GANG VARIABLE	2804	60K	60K	12 I.F. TRANS. TWENTIETH	
C21	50-50 TRIPLE GANG VARIABLE	2804	60K	60K	12 I.F. TRANS. TWENTY-FIRST	
C22	50-50 TRIPLE GANG VARIABLE	2804	60K	60K	12 I.F. TRANS. TWENTY-SECOND	
C23	50-50 TRIPLE GANG VARIABLE	2804	60K	60K	12 I.F. TRANS. TWENTY-THIRD	
C24	50-50 TRIPLE GANG VARIABLE	2804	60K	60K	12 I.F. TRANS. TWENTY-FOURTH	
C25	50-50 TRIPLE GANG VARIABLE	2804	60K	60K	12 I.F. TRANS. TWENTY-FIFTH	
C26	50-50 TRIPLE GANG VARIABLE	2804	60K	60K	12 I.F. TRANS. TWENTY-SIXTH	
C27	50-50 TRIPLE GANG VARIABLE	2804	60K	60K	12 I.F. TRANS. TWENTY-SEVENTH	
C28	50-50 TRIPLE GANG VARIABLE	2804	60K	60K	12 I.F. TRANS. TWENTY-EIGHTH	
C29	50-50 TRIPLE GANG VARIABLE	2804	60K	60K	12 I.F. TRANS. TWENTY-NINTH	
C30	50-50 TRIPLE GANG VARIABLE	2804	60K	60K	12 I.F. TRANS. THIRTIETH	
C31	50-50 TRIPLE GANG VARIABLE	2804	60K	60K	12 I.F. TRANS. THIRTY-FIRST	
C32	50-50 TRIPLE GANG VARIABLE	2804	60K	60K	12 I.F. TRANS. THIRTY-SECOND	
C33	50-50 TRIPLE GANG VARIABLE	2804	60K	60K	12 I.F. TRANS. THIRTY-THIRD	
C34	50-50 TRIPLE GANG VARIABLE	2804	60K	60K	12 I.F. TRANS. THIRTY-FOURTH	
C35	50-50 TRIPLE GANG VARIABLE	2804	60K	60K	12 I.F. TRANS. THIRTY-FIFTH	
C36	50-50 TRIPLE GANG VARIABLE	2804	60K	60K	12 I.F. TRANS. THIRTY-SIXTH	
C37	50-50 TRIPLE GANG VARIABLE	2804	60K	60K	12 I.F. TRANS. THIRTY-SEVENTH	
C38	50-50 TRIPLE GANG VARIABLE	2804	60K	60K	12 I.F. TRANS. THIRTY-EIGHTH	
C39	50-50 TRIPLE GANG VARIABLE	2804	60K	60K	12 I.F. TRANS. THIRTY-NINTH	
C40	50-50 TRIPLE GANG VARIABLE	2804	60K	60K	12 I.F. TRANS. FORTIETH	
C41	50-50 TRIPLE GANG VARIABLE	2804	60K	60K	12 I.F. TRANS. FORTY-FIRST	
C42	50-50 TRIPLE GANG VARIABLE	2804	60K	60K	12 I.F. TRANS. FORTY-SECOND	
C43	50-50 TRIPLE GANG VARIABLE	2804	60K	60K	12 I.F. TRANS. FORTY-THIRD	
C44	50-50 TRIPLE GANG VARIABLE	2804	60K	60K	12 I.F. TRANS. FORTY-FOURTH	
C45	50-50 TRIPLE GANG VARIABLE	2804	60K	60K	12 I.F. TRANS. FORTY-FIFTH	
C46	50-50 TRIPLE GANG VARIABLE	2804	60K	60K	12 I.F. TRANS. FORTY-SIXTH	
C47	50-50 TRIPLE GANG VARIABLE	2804	60K	60K	12 I.F. TRANS. FORTY-SEVENTH	
C48	50-50 TRIPLE GANG VARIABLE	2804	60K	60K	12 I.F. TRANS. FORTY-EIGHTH	
C49	50-50 TRIPLE GANG VARIABLE	2804	60K	60K	12 I.F. TRANS. FORTY-NINTH	
C50	50-50 TRIPLE GANG VARIABLE	2804	60K	60K	12 I.F. TRANS. FIFTIETH	