

Scott Radio Labs., Inc.

Model: Masterpiece

Chassis:

Year: Pre 1945

Power:

Circuit:

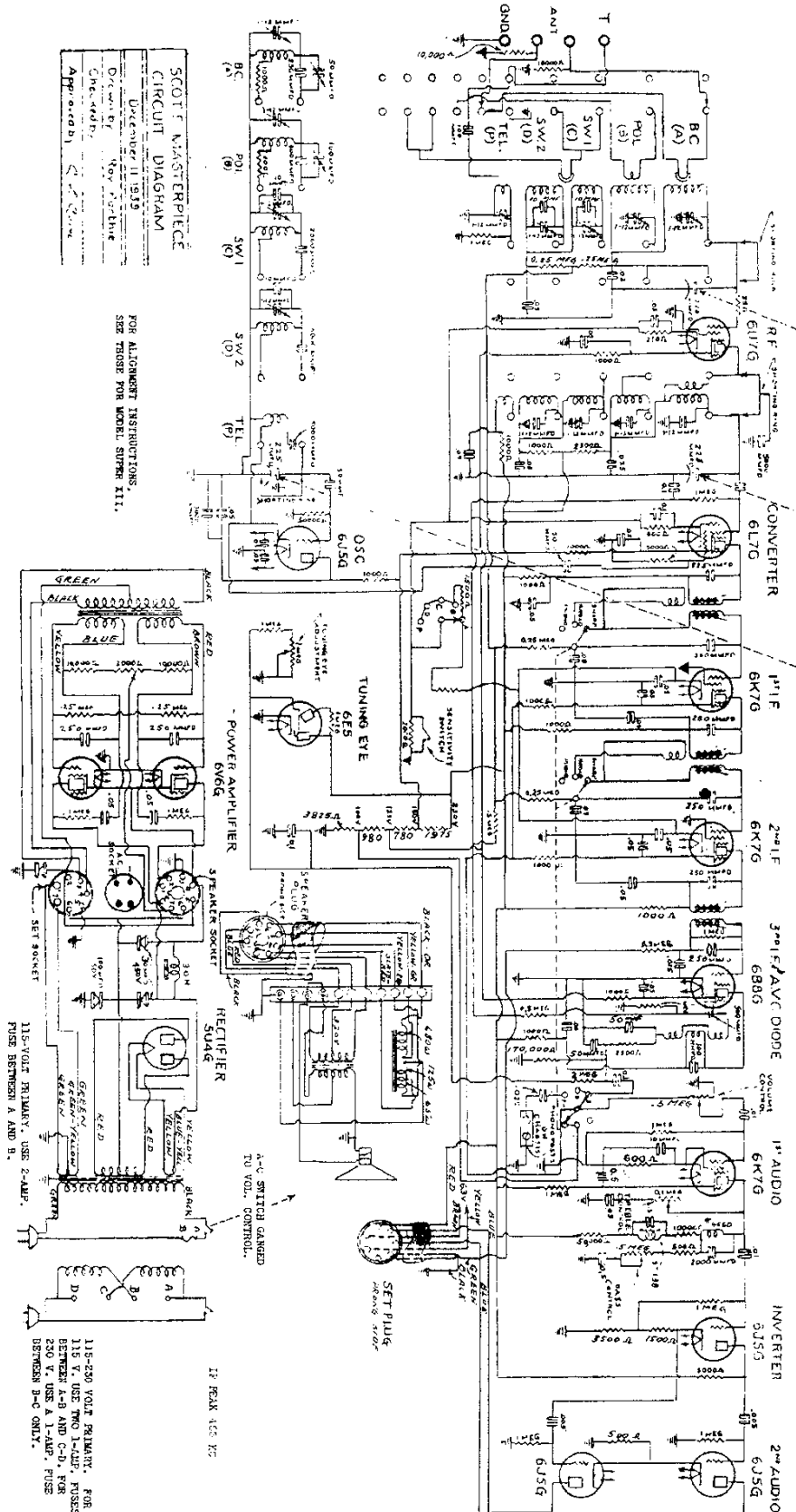
IF:

Tubes:

Bands:

Resources

Riders Volume 14 - SCOTT 14-35, 36



SCOTT MASTERPIECE
CIRCUIT DIAGRAM
Designed by E. H. Scott
Checked by J. W. Smith
Approved by J. W. Smith

FOR ALIGNMENT INSTRUCTIONS,
SEE TIGER FOR MODEL SUPER III.

115-VOLT PRIMARY, USE 2-AMP.
FUSE BETWEEN A AND B.

115-230 VOLT PRIMARY, FOR
115 V. USE TWO 1-AMP. FUSES
BETWEEN A-B AND C-D. FOR
230 V. USE A 1-AMP. FUSE
BETWEEN B-C ONLY.

12 PEAK 100 HZ