

NOSTALGIA AIR

Stromberg Carlson Co.

	Model: 60	Chassis:	Year: Pre October 1934
	Power:	Circuit:	IF:
	Tubes:		
	Bands:		

Resources

[RCC STROMBERG-CARLSON 11](#)

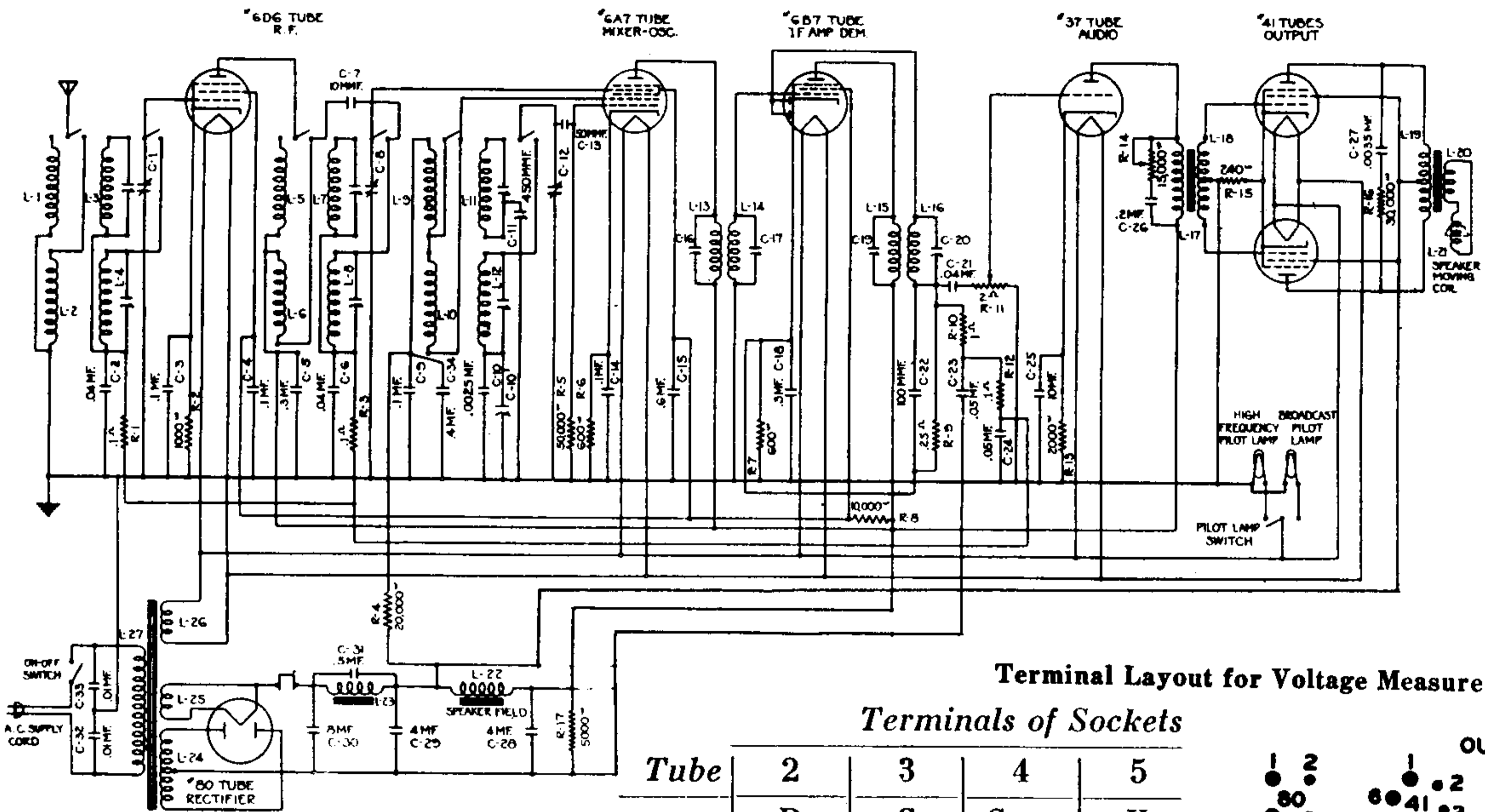
[Riders 5 \(V\) STROMBERG 5-1](#)

[Riders 5 \(V\) STROMBERG 5-2](#)

[Riders 5 \(V\) STROMBERG 5-3](#)

[Riders 5 \(V\) STROMBERG 5-4](#)

[Riders 5 \(V\) STROMBERG 5-5](#)



Above.
MODEL. 60.
 1934-35 I.F. 370 Kc.

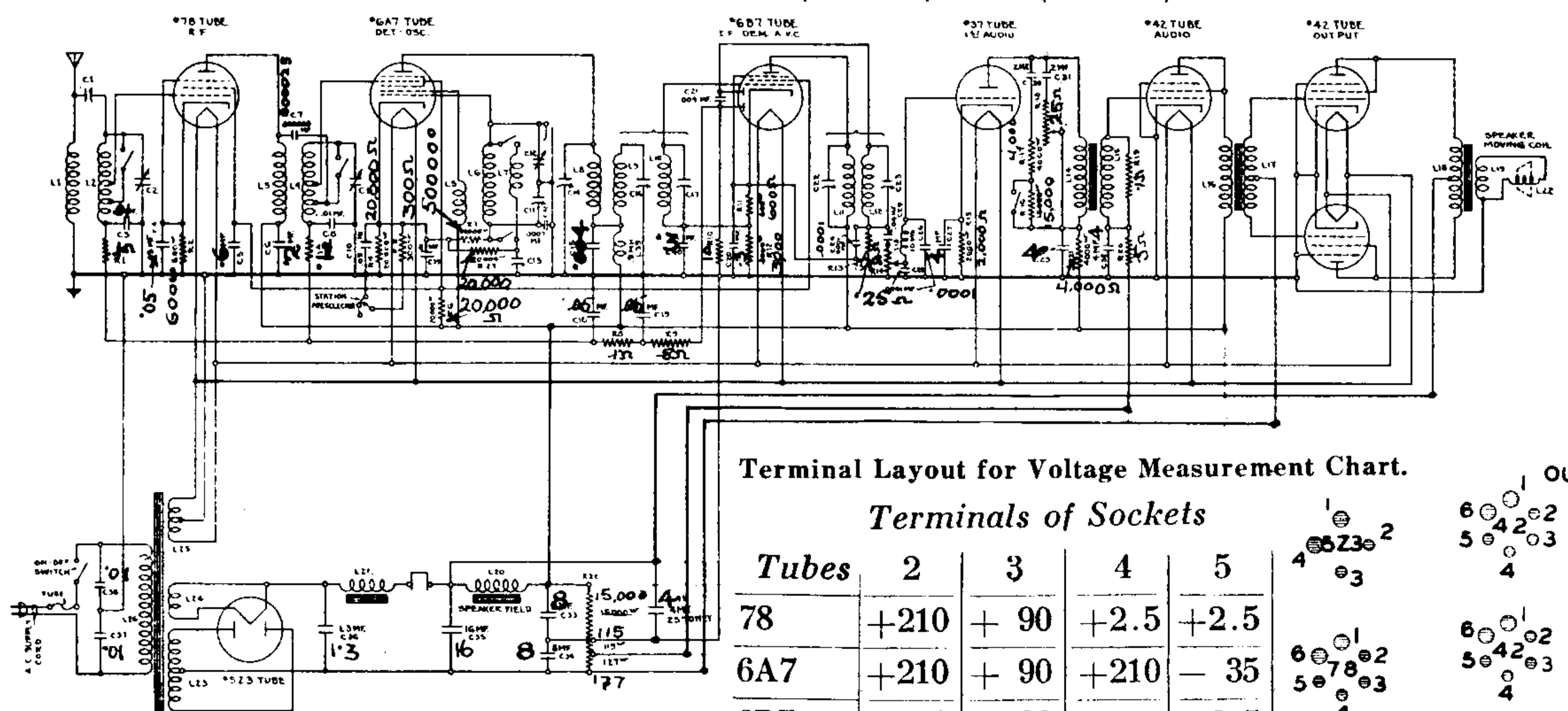
Terminal Layout for Voltage Measurement Chart.

Terminals of Sockets

Tube	2	3	4	5
6D6	P 145	S 85	Sup. 5.5	K 5.5
6A7	Mix. P 145	S 85	Osc. P. 175	Osc. G -20
6B7	P 145	S 85	D 0	D 0
37	P 140	G 0	K 8	H 0
41's	P 250	S 250	G 0	K 16

OUTPUT
 1 2 3 4 5 6
 6 4 2 0 2
 5 0 4 2 0 3
 4 3 4
 5 4 1 0 1
 4 0 4 1 0 1
 3 0 3 0 2

LOOKING AT INSIDE BOTTOM
 OF CHASSIS
 1 2 3 4 5 6
 7 6 5 4 3 2 1
 7 6 5 4 3 2 1
 6 5 4 3 2 1
 4 0 5
 3 0 6 7
 2 0 1



Terminal Layout for Voltage Measurement Chart.

Terminals of Sockets

Tubes	2	3	4	5
78	+210	+ 90	+2.5	+2.5
6A7	+210	+ 90	+210	- 35
6B7	+210	+ 90		2.5
37	+190		+ 10	
42	+190		-3.5	
42	+350		- 35	

OUTPUT
 1 2 3 4 5 6
 6 4 2 0 2
 5 0 4 2 0 3
 4 3 4
 5 4 1 0 1
 4 0 4 1 0 1
 3 0 3 0 2

—LOOKING AT INSIDE BOTTOM
 OF CHASSIS
 1 2 3 4 5 6
 7 6 5 4 3 2 1
 7 6 5 4 3 2 1
 6 5 4 3 2 1
 4 0 5
 3 0 6 7
 2 0 1

MODEL. 64.
 1933-34 I.F. 265 Kc.

DATA SHEET

STROMBERG-CARLSON TEL. MFG. CO.

MODEL 60
Specifications
Schematic

Stromberg-Carlson No. 60 Type Radio Receivers

ELECTRICAL SPECIFICATIONS

Type of Circuit	-----	Superheterodyne
Tuning Ranges	-----	540—1570 k. c. and 5.5 to 15.5 mc.
Type and Number of Tubes	-----	1 No. 6D6, 1 No. 6A7, 1 No. 6B7, 1 No. 37, 2 No. 41, 1 No. 80
Voltage Rating	-----	105-125 volts
Frequency Rating	-----	50-60 Cycles
Power Consumption Rating	-----	80 Watts

CIRCUIT DESCRIPTION

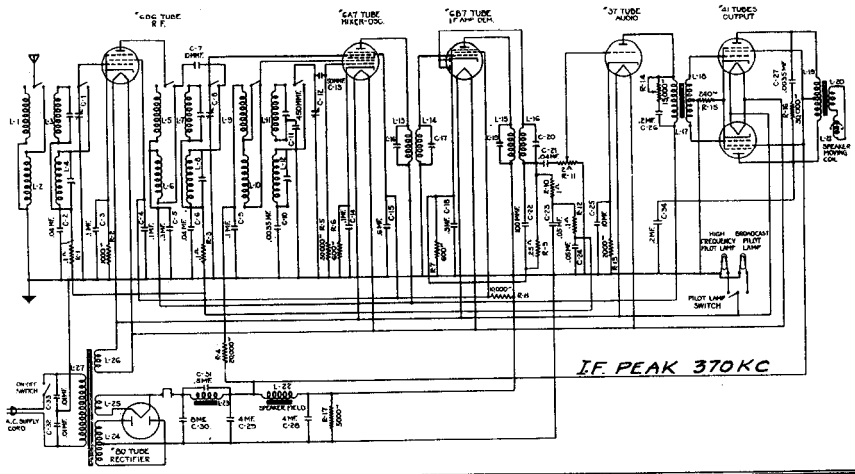
These receivers are seven tube A. C. operated Superheterodynes with two tuning ranges; standard broadcast and short-wave broadcast. See P-24418 Instructions for Installation and Operation to details of controls, installation and operating procedure.

The No. 6D6 tube is used as the R. F. amplifier. The No. 6A7 tube is used for the oscillator-mixer. The No. 6B7 tube serves as the I. F. amplifier, A. V. C., and demodulator. The No. 37 tube is the first audio amplifier and the two No. 41 tubes function as the power output stage. The No. 80 is the rectifier in the power supply circuit.

NORMAL VOLTAGE READINGS

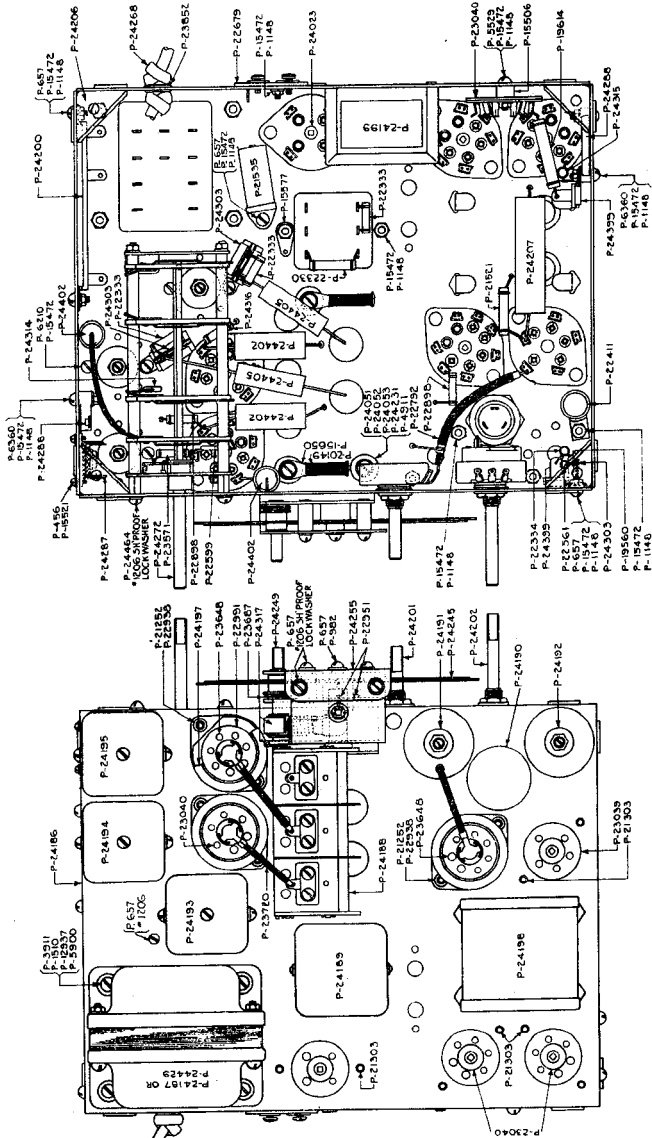
These voltage readings are obtained by measuring between the various tube socket contacts and the bases with the tubes and speaker plug in place. The set is therefore in operation when the measurements are made. Fig. 2 shows the terminal layout of the sockets with the proper terminal numbers. The terminals of each socket are numbered, starting with one heater or filament pin and proceeding around the pin circle clockwise to the other heater or filament pin. This is done looking at the bottom of the socket. Tune Receiver to 1500 k. c.

Voltages are given for a line voltage of 120 volts and allowance should be made for differences when the line voltage is higher or lower. A meter with a resistance of 1,000 ohms per volt should be used for measuring the D. C. voltages. The Volume Control should be set all "On" (clockwise) before measuring voltages. See page 2.



STROMBERG-CARLSON TEL. MFG. CO.

MODEL 60
Chassis Views



MODEL 60
Socket Layout
Voltage
Parts List

STROMBERG-CARLSON TEL. MFG. CO.

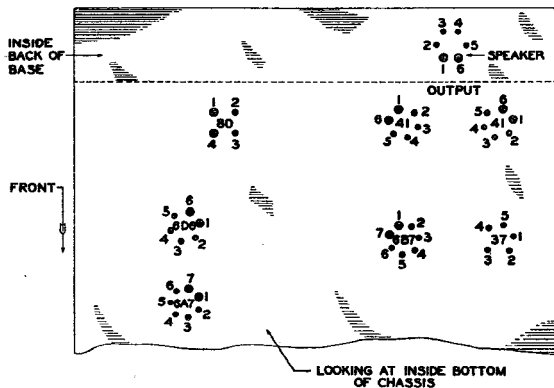


Fig. 2. Terminal Layout for Voltage Measurement Chart.

Tube	Circuit	Cap.	Terminals of Sockets							Heater Voltages Between Terminal Nos.
			1	2	3	4	5	6	7	
6D6	R. F. Amp.	G 0	H 0	P 145	S 85	Sup. 5.5	K 5.5	H 0	—	1-6-6.5 volts
6A7	Mixer-Osc.	Mix. G 0	H 0	Mix. P 145	S 85	Osc. P. 175	Osc. G -20	K 5.5	H 0	1-7-6.5 volts
6B7	I. F., Dem.	G 0	H 0	P 145	S 85	D 0	D 0	K 3	H 0	1-7-6.5 volts
37	1st Audio	—	H 0	P 140	G 0	K 8	H 0	—	—	1-5-6.5 volts
41's	Output	—	H 0	P 250	S 250	G 0	K 16	H 0	—	1-6-6.5 volts
80	Rectifier	—	F 270	P 298	P 298	F 270	—	—	—	1-4-4.9 volts
Speaker Socket			245	145	270	270	250	245		

A. C. voltages are indicated by italics

REPLACEMENT PARTS

Part Number	Description	List Price	Part Number	Description	List Price
P-24187	Power Transformer, 105-125 volts, 50-60 cycles	\$ 6.35	P-24291	Volume Control Potentiometer	.85
P-24429	Power Transformer, 210-250 volts, 50-60 cycles	10.00	P-24292	Treble Control and On-Off Switch	1.15
P-24245	Dial Assembly	1.00	P-24317	Pilot Lamp Socket	.15
P-23549	Drive Assembly	.15	P-24272	Range Switch Assembly	4.15
P-23687	Washer	.01	P-21535	Capacitor Assembly, 2-.01 Mfd.	.80
P-24255	Escutcheon Assembly	1.20	P-22911	Capacitor, .04 Mfd.	.50
P-24189	By-Pass Capacitor Assembly	3.55	P-24462	Capacitor, .1 Mfd.	.45
P-24191	Transformer Assembly, 1st I. F.	2.15	P-24405	Capacitor, .04 Mfd.	.45
P-24192	Transformer Assembly, 2nd I. F.	2.15	P-24190	Electrolytic Capacitor, 8 Mfd., 4 Mfd., 4 Mfd.	3.40
P-23279	Ant. and Ground Binding Post Assembly	.15	P-24297	Electrolytic Capacitor, 10 Mfd.	.37
P-24268	Power Cord	.75	P-23298	Resistor, 600 Ohms, Type D	.37
P-23291	Tube Shield Base	.05	P-24299	Resistor, 1,000 Ohms, Type D	.37
P-24197	Tube Shield	.17	P-23271	Resistor, 50,000 Ohms, Type D	.37
P-24023	Tube Socket, 4 Pin	.17	P-23253	Resistor, 1 Megohm, Type D	.37
P-23069	Tube Socket, 5 Pin	.17	P-23254	Resistor, 25 Megohm, Type D	.37
P-23040	Tube Socket, 6 pin	.17	P-22581	Resistor, 1 Megohm, Type D	.37
P-23548	Tube Socket, 7 pin	.17	P-21521	Resistor, 2,000 Ohms, Type C	.37
P-24198	Audio Transformer Assembly	3.70	P-23230	Resistor, 10,000 Ohms, Type C	.37
P-24199	Choke Coil Assembly	1.80	P-24215	Resistor, 30,000 Ohms, Type C	4.75
P-24200	Voltage Divider Resistor	.60	P-19014	Resistor, 20,000 Ohms, Type B	.55
			P-24238	Moulded Capacitor, 5,500 MMEFD	4.75
			P-24416	Knob (Large)	.30
			P-24417	Knob (Small)	.20

STROMBERG-CARLSON TEL. MFG. CO.

MODEL 68
Specifications
List of Parts

Engineering Data

Stromberg-Carlson No. 68 All-Wave Radio Receiver

STROMBERG-CARLSON TELEPHONE MANUFACTURING COMPANY
Rochester, New York

ELECTRICAL SPECIFICATIONS

Type of Circuit.....	Superheterodyne
Tuning Ranges.....	A—520 to 1500 kc.; B—1400 to 4200 kc.; C—3.7 to 10.5 mc.; D—8.9 to 25 mc.	
Type and Number of Tubes.....	2 No. 6D6, 1 No. 6A7, 1 No. 6B7, 1 No. 5Z3, 3 No. 42, 1 No. 76, 1 No. 85
Voltage Rating.....	105-125 Volts
Frequency Rating.....	50-60 Cycles
Power Consumption Rating (Maximum line voltage).....	160 Watts
Intermediate Frequency.....	370 kc.

CIRCUIT DESCRIPTION

This receiver is a ten tube A. C. operated all-wave superheterodyne having four tuning ranges. See P-24689, Installation and Operating Instructions, for installation and operating procedure.

One No. 6D6 tube is used as an R. F. amplifier, the No. 6A7 tube is used as a modulator, and the No. 76 acts as the oscillator in the Tuner Unit. In the Amplifier Chassis the other No. 6D6 acts as the I. F. amplifier, the No. 6B7 is in the A. V. C. circuit, while the No. 85 acts as demodulator and first audio amplifier. One No. 42 operates as a second or driver audio stage and the other two constitute the power output stage. The No. 5Z3 is the rectifier in the power supply.

NORMAL VOLTAGE READINGS

These voltage readings are obtained by measuring between the various tube socket contacts and the bases with the tubes in place. The Receiver is therefore in operation when the measurements are made. Fig. 1 shows the terminal layout of the sockets with the proper terminal numbers. The terminals of each socket are numbered, starting with one heater or filament pin and proceeding around the pin circle clockwise to the other heater or filament pin. This is done looking at the bottom of the socket.

Voltages are given for a line voltage of 119 volts and allowance should be made for differences when the line voltage is higher or lower. A meter with a resistance of 1,000 ohms per volt should be used for measuring the D. C. voltages. See page 2.

REPLACEMENT PARTS

Piece Number	Description of Part	Required Per Receiver	List Price Each	Piece Number	Description of Part	Required Per Receiver	List Price Each
24685	Capacitor Assembly (25 to 60 cycle)	1	\$15.00	22871	Resistor—Type D, 2 Meg.	1	\$ 3.27
24658	Capacitor Assembly (50 to 60 cycle)	1	18.00	18696	Resistor—Type B, 1,000 Ohm	1	.55
24876	Capacitor Assembly (By-Pass)	1	2.00	19014	Resistor—Type B, 2,000 Ohm	1	.55
23970	Capacitor Assembly	1	1.69	23238	Resistor—Type C, 4,000 Ohm	1	.37
28965	Transformer Assembly (Audio)	1	4.55	21821	Resistor—Type C, 2,000 Ohm	9	.37
24687	Power Transformer (25 to 60 cycle)	1	16.00	23330	Resistor—Type C, 10,000 Ohm	1	.37
24422	Power Transformer (50 to 60 cycle)	1	16.00	23588	Resistor—Type D, 450 Ohm	1	.37
24424	Transformer Assembly (1F)	1	4.00	23844	Resistor—Type D, 300 Ohm	1	.37
24425	Transformer Assembly (1F)	1	4.00	23965	Resistor—Voltage Divider	1	7.00
24426	Transformer Assembly (1F)	1	4.00	24561	Capacitor 5 MMF	1	.20
24877	Transformer Assembly (1F)	1	2.50	24402	Capacitor 1 M. F.	4	.45
23959	Choke Assembly	1	2.40	24683	Coil Assembly 115 M. H.	1	.60
24025	Transformer Assembly (Audio)	1	2.20	24460	Capacitor 4025 M. F.	1	2.75
23949	Tube Socket (6 Prong)	2	.17	24485	Capacitor 50 MMF	1	.45
23648	Tube Socket (7 Prong)	7	.17	24485	Binding Post (Antenna and Ground)	1	.40
28940	Tube Socket (6 Prong)	7	.17	24575	Capacitor .015 M. F.	1	1.25
23839	Tube Socket (6 Prong)	1	.17	24402	Capacitor 1 M. F.	4	.45
23038	Tube Socket (4 Prong)	1	.20	24196	Capacitor 25 MMF	1	.25
21984	Fuse Block	1	.15	24560	Capacitor 50 MMF	1	.45
28100	Fuse 2-Ampere	1	1.00	24323	Capacitor (1F Tuning Condenser)	1	.40
24574	Condenser (111H) .0005 M. F.	1	.60	21589	Capacitor (Electrolytic)	1	1.40
21834	Condenser (111H) .001 M. F.	1	.60	24546	Potentiometer (Volume Control)	1	2.50
22411	Capacitor Assembly .04 M. F.	1	.80	22593	Potentiometer (Tone Control)	1	1.85
21535	Capacitor Assembly .01 M. F.	3	.60	24588	Bracket Assembly	1	.40
25810	Coil Assembly .5 M. H.	3	.60	24588	Bracket Assembly	1	.40
17350	Switch (Base Control)	1	.75	24386	Dial Plate	1	.45
24809	Cord (Power)	1	1.50	23290	Tuning Meter	2	.69
19259	Cord (Power receptacle to tuner)	1	1.75	24373	Shank Assembly	1	.25
24874	Cable (Output)	1	.57	24371	Dial	1	.75
22329	Resistor 5,000 Ohm	1	.37	24375	Dial Thrust Bearing	1	.25
18704	Resistor 15,000 Ohm	1	.37	24376	Tuning Meter	1	1.04
32334	Resistor 25 Meg.	1	.57	24317	Pilot Lamp Sockets	7	.12
23711	Resistor 50,000 Ohm	1	.37	24595	Front Dial Lens (Glass)	1	.35
14073	Resistor 35,000 Ohm	1	.37	24350	Dial Lens Clips	4	.05
22843	Resistor—Type D, 1 Meg.	1	.37	24388	Dial Pointer	1	.05
22335	Resistor—Type D, .5 Meg.	1	.37	24773	Loud Speaker	1	19.00
24816	Resistor—Type D, 1,000 Ohm	1	.37				