

Zenith Radio Corp.

Model: 8-S-359

Chassis:

Year: Pre August 1939

Power:

Circuit:

IF:

Tubes:

Bands:

Resources

Riders Volume 10 - ZENITH 10-31

Riders Volume 10 - ZENITH 10-32

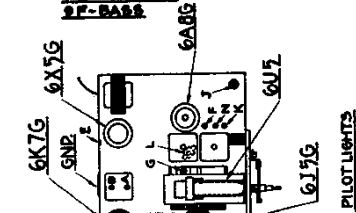
ZENITH RADIO CORP.

MODEL 8S359, Ch. 5807
Schematic, Voltage
Socket, Trimmers

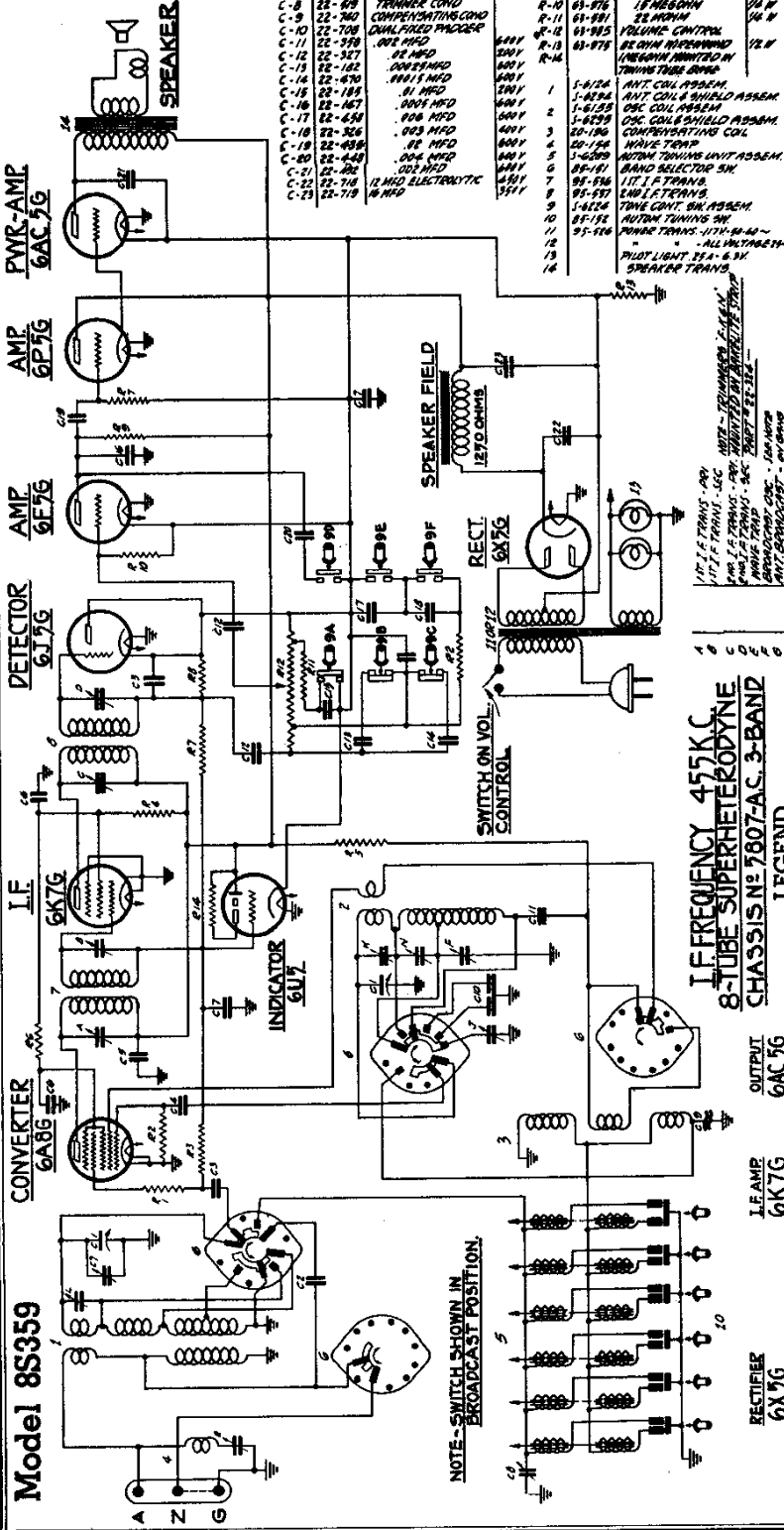
SPEAKER MODEL
49-249-12" 8-5-379

CIR. NO.	PART NO.	DESCRIPTION	R-1	6X7G	30MM	24W
C-1	22-717	TUNING INDICATOR	R-1	6X7G	30MM	24W
C-2	22-309	500MFD	R-2	6X7G	30MM	24W
C-3	22-106	.001MFD	R-3	6X7G	30MM	24W
C-4	22-127	.25MFD	R-4	6X7G	30MM	24W
C-5	22-170	.1MFD	R-5	6X7G	30MM	24W
C-6	22-171	.05MFD	R-6	6X7G	30MM	24W
C-7	22-260	.05MFD	R-7	6X7G	30MM	24W
C-8	22-679	TRIMMER COND	R-8	6X7G	30MM	24W
C-9	22-740	COMPENSATING COND	R-9	6X7G	30MM	24W
C-10	22-738	SHALL GRID TROUBLE	R-10	6X7G	30MM	24W
C-11	22-378	.05MFD	R-11	6X7G	30MM	24W
C-12	22-327	.02MFD	R-12	6X7G	30MM	24W
C-13	22-182	.0005MFD	R-13	6X7G	30MM	24W
C-14	22-670	.001MFD	R-14	6X7G	30MM	24W
C-15	22-183	.01MFD				
C-16	22-167	.0005MFD				
C-17	22-658	.006MFD				
C-18	22-326	.003MFD				
C-19	22-698	.02MFD				
C-20	22-448	.004MFD				
C-21	22-181	.002MFD				
C-22	22-718	12MFD ELECTROLYTIC				
C-23	22-719	18MFD				

NOTE-2A-A10
2B-TREBLE
2C-VOICE
2D-NORMAL
2E-LOW BASS
2F-BASS

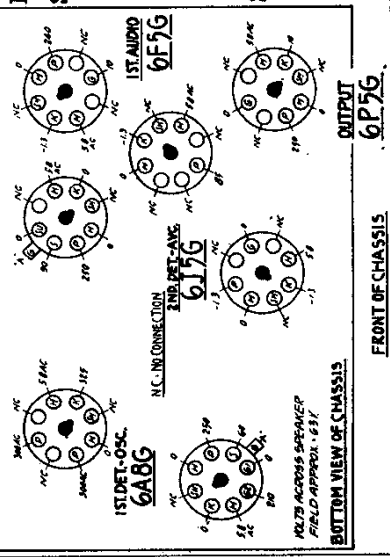


Location of tubes and trimmers



I.F. FREQUENCY 455 K.C.
8-TUBE SUPERHETERODYNE
CHASSIS NO. 7807-AC, 3-BAND
LEGEND

- NC — No Connection
- SH — Shield
- H — Heater
- P — Plate
- S — Screen
- G — Grid
- SU — Suppressor
- D — Diode
- F — Filament
- K — Cathode



Model 8S359

NOTE - SWITCH SHOWN IN BROADCAST POSITION.

BOTTOM VIEW OF CHASSIS
K128 ACROSS SPEAKER FIELD APPROX. 1.5"

MODEL 8S359, Ch. 5807

Alignment

MODEL S-6622

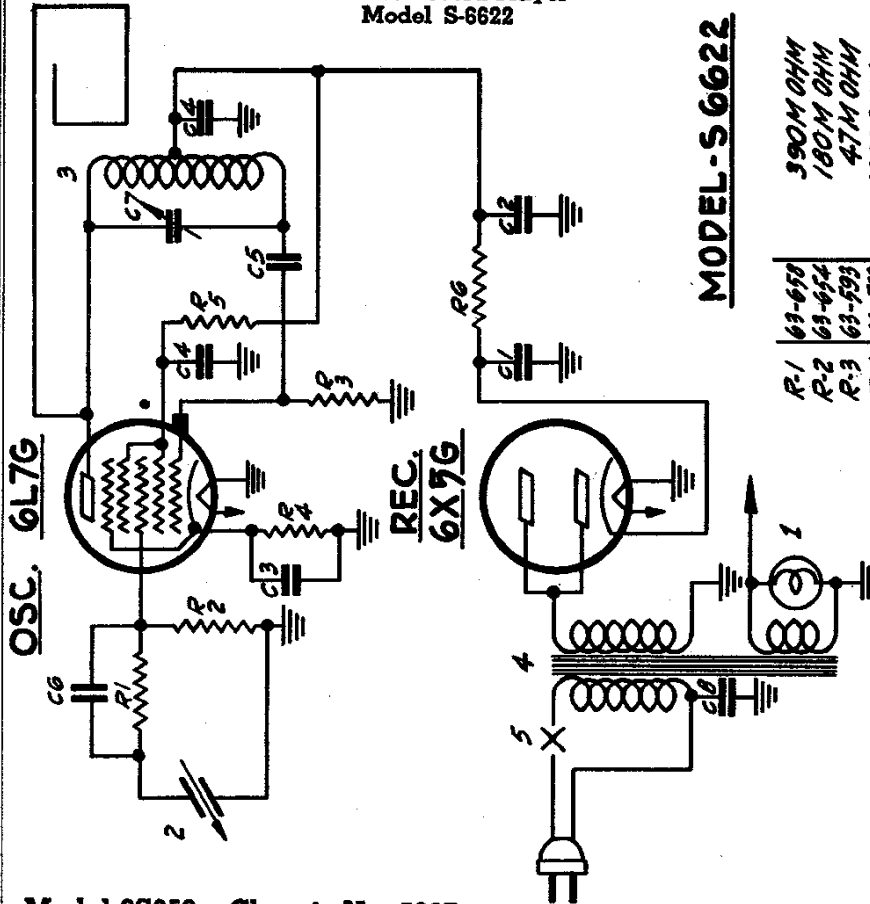
Wireless Record Player

Schematic

ZENITH RADIO CORP.

PHONOGRAPH OSCILLATOR

Wireless Record Player
Model S-6622



Model 8S359. Chassis No. 5807

ALIGNMENT PROCEDURE

1/4 W	1/4 W	1/4 W	1/4 W	1/2 W
390M OHM	180M OHM	47M OHM	1000 OHM	4700 OHM
63-658	63-654	63-593	63-593	63-587
R-1	R-2	R-3	R-4	R-5
100-36	142-14	142-16	5-6625	95-567
1	2	3	4	5
PILOT LIGHT-6.3K.25A.				
PICK-UP ARM - COMPLETE				
CRYSTAL UNIT ONLY				
OSC. COIL ASSEM.				
POWER TRANS.				
SWITCH				

DIAG. No.	PART No.	DESCRIPTION	Value
C-1	22-768	16MFD. ELECTROLYTIC	200V
C-2		40MFD "	150V
C-3	22-250	.05MFD	200V
C-4	22-196	.01MFD	600V
C-5	22-182	.00025MFD	600V
C-6	22-147	.0005MFD	600V
C-7	22-469	TRIMMER	600V
C-8	22-525	.005MFD	1000V

Operation	Connect Test Oscillator to	Dummy Antenna	Set Test Osc. to	Band	Set Dial At	Adjust Trimmers	Purpose
1	1st Det. Grid	1/2 Mfd.	455	Br'dc't	600	ABCD	I. F. Alignment
2	Rec. Ant. Post	200 Mmfd.	455	"	600	E	See Note
3	" " "	200 Mmfd.	1500	"	1500	F	Set Osc. to Scale
4	" " "	200 Mmfd.	1500	"	1500	G	Al'gment of Ant.
5	" " "	200 Mmfd.	600	"	600	J	Rock gang & adj. for max. output.
6	" " "	200 Mmfd.		"		FG	Repea 3 & 4
7	" " "	400 Ohms	18000	S.W.	18000	K	Set Osc. to Scale
8	" " "	400 Ohms	18000	S.W.	18000	L	Rock Gang & adj. for max. output.
9	" " "	400 Ohms	6000	Police	6000	N	Rock Gang & adj. for max. output.

NOTE: If receiver is used in location subject to code interference adjust wave trap (E) for minimum interference with antenna connected and receiver operating in broadcast band.