

## Philco Radio & Television Corp.

Model: 41-231

Chassis:

Year: Pre April 1941

Power:

Circuit:

IF:

Tubes:

Bands:

### Resources

[Riders Volume 12 - PHILCO 12-50](#)

[Riders Volume 12 - PHILCO 12-55](#)

MODELS 41-221  
41-226  
MODEL 41-231

PHILCO RADIO & TELEVISION CORP.

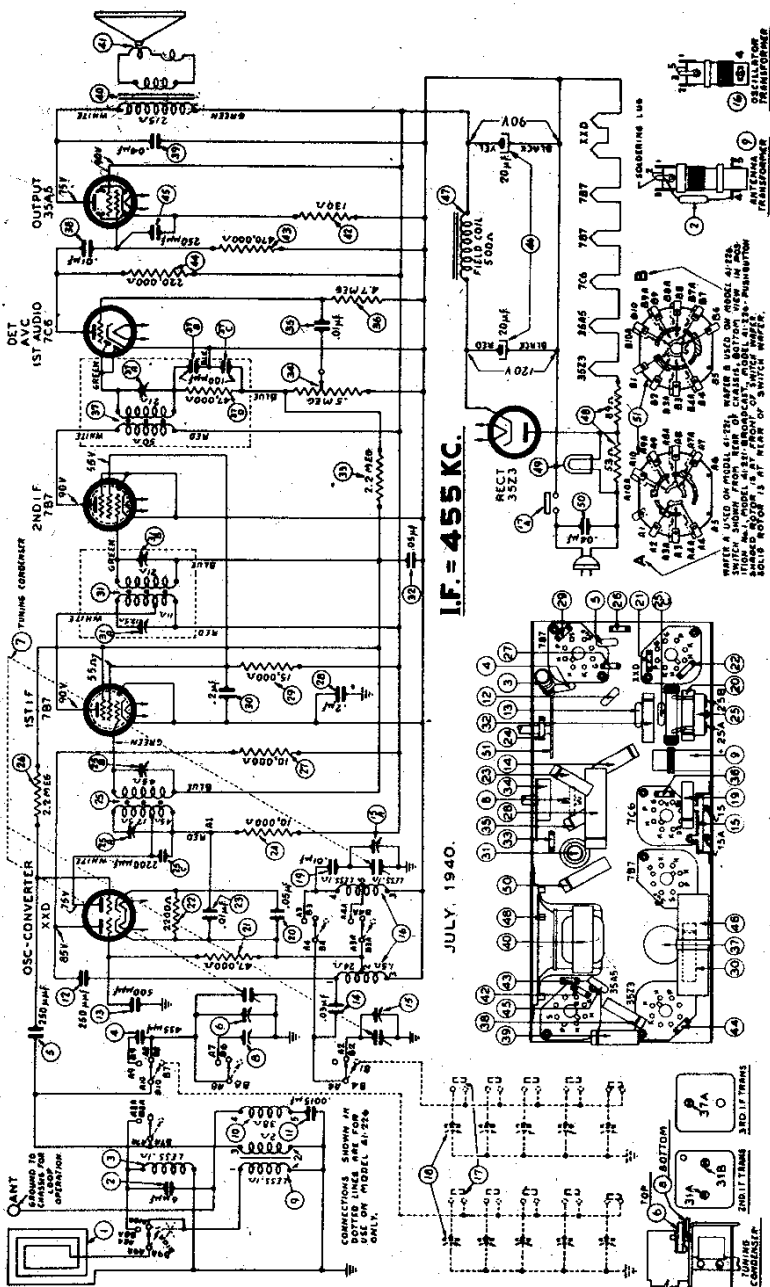
Model 41-221 is manually tuned and is assembled in two type (C & CI.) cabinets. Type "C" is a diagonal grain Sapel wood cabinet with carrying handle. Cabinet Type "CI" use diagonal grained walnut wood with ivory finished bezel, knobs and trim.

Model 41-226 incorporates Electric Push-button tuning in addition to manual tuning and is assembled in a sliced Walnut Cabinet. The electric push-button mechanism consists of six (6) push-buttons. One push-button is used to turn the power off and on. The remaining five (5) push-buttons automatically tune in stations.

When aligning the R. F. padders a loop is made from a few turns of wire and connected to the signal generator output terminals; the signal generator is then placed close to the loop of the radio.

The receiver can be adjusted in the cabinet or removed from the cabinet.

When adjusting the radio outside the cabinet the loop aerial should be placed in approximately the same position around or near the chassis as when assembled.



ALIGNMENT FOR MODELS 41-221, 41-226, 41-231

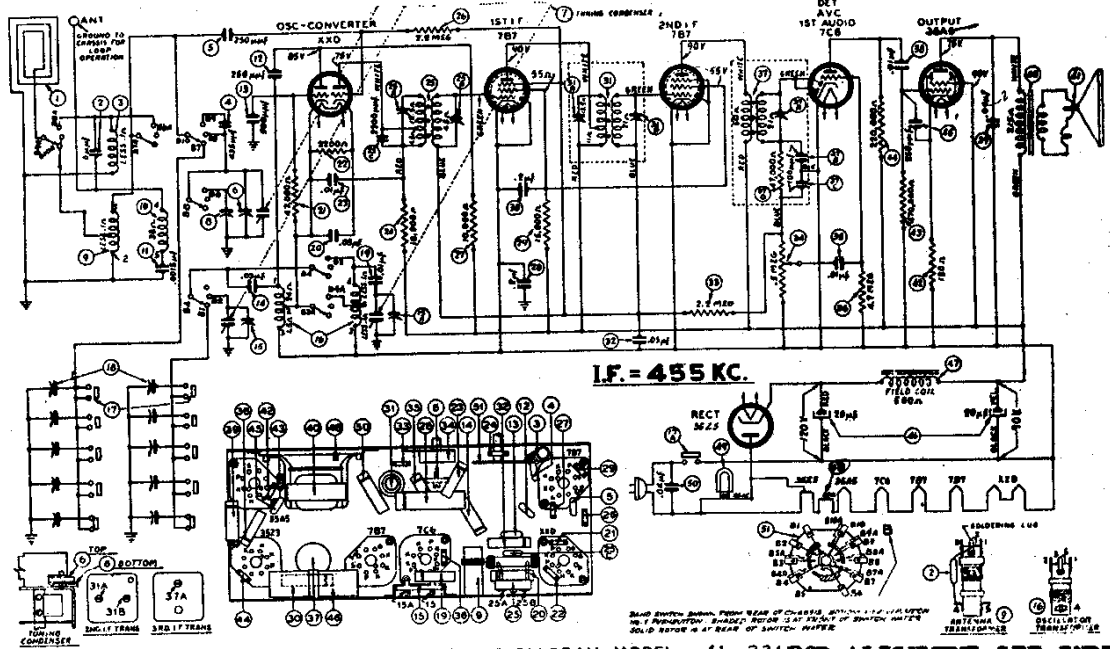
SIGNAL GENERATOR		RECEIVER		SPECIAL INSTRUCTIONS
Output Connections to Receiver	Dial Setting	Dial Setting	Control Setting	
1	Ant. Section of tuning	455 K. C.	540 K. C. Tuning Cond. Closed	37A, 31A, 31B, 25A, 25B
2	Loop	1600 K. C.	1600 K. C.	15
3	Loop	1500 K. C.	1500 K. C.	6
4	Loop	12 M. C.	12 M. C.	15A, 6

NOTE A: — DIAL CALIBRATION: In order to adjust the receiver correctly, the dial must be aligned to track properly with the tuning condenser. To do this, proceed as follows: Turn the tuning condenser to the maximum capacity position (plates fully meshed). With the condenser in this position, turn the tuning pointer on the small dot below 350 K. C.

NOTE B: — When adjusting oscillator compensator 15A, tune for maximum on the first signal peak from Tight position (compensator closed).

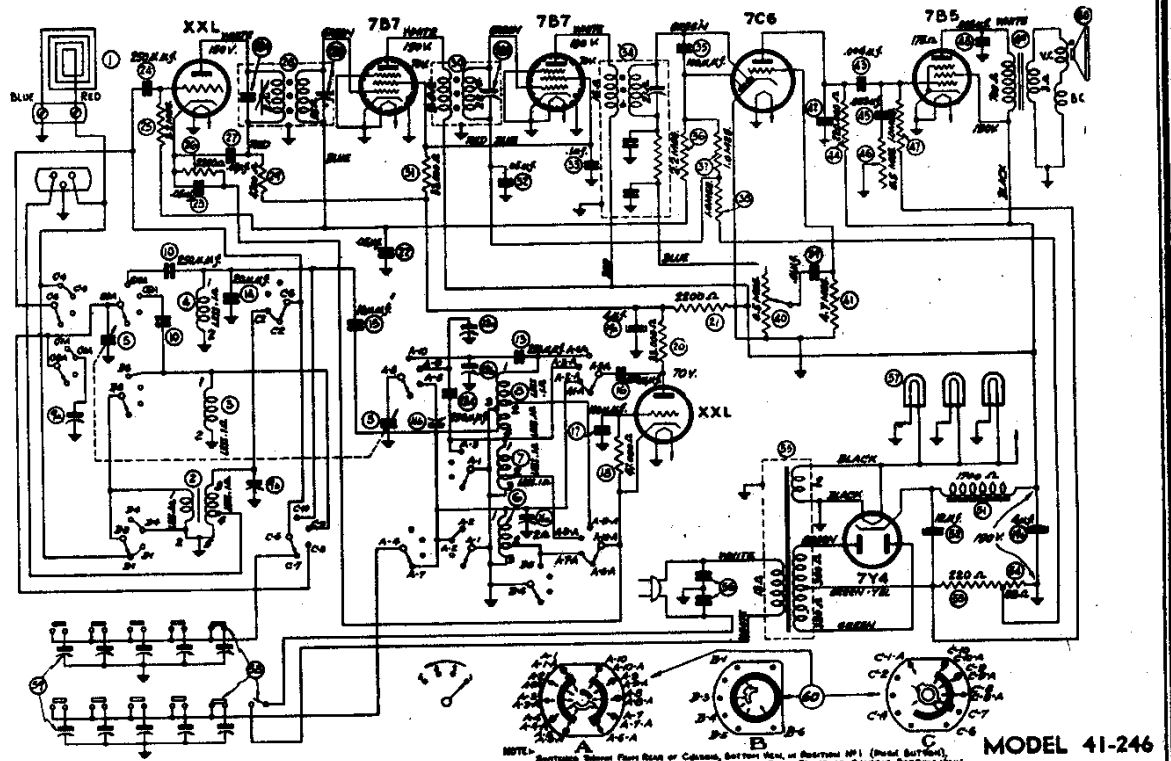
PHILCO RADIO & TELEVISION CORP.

MODELS 41-231, 41-246 (121)



DECEMBER, 1940

SCHEMATIC DIAGRAM MODEL 41-231 FOR ALIGNMENT SEE INDEX FOR OTHER DATA SEE INDEX



MODEL 41-246

DECEMBER, 1940

