

Ford Motor Car Co.

Model: Ford-Lincoln

Chassis:

Year: Pre October 1934

Power:

Circuit:

IF:

Tubes:

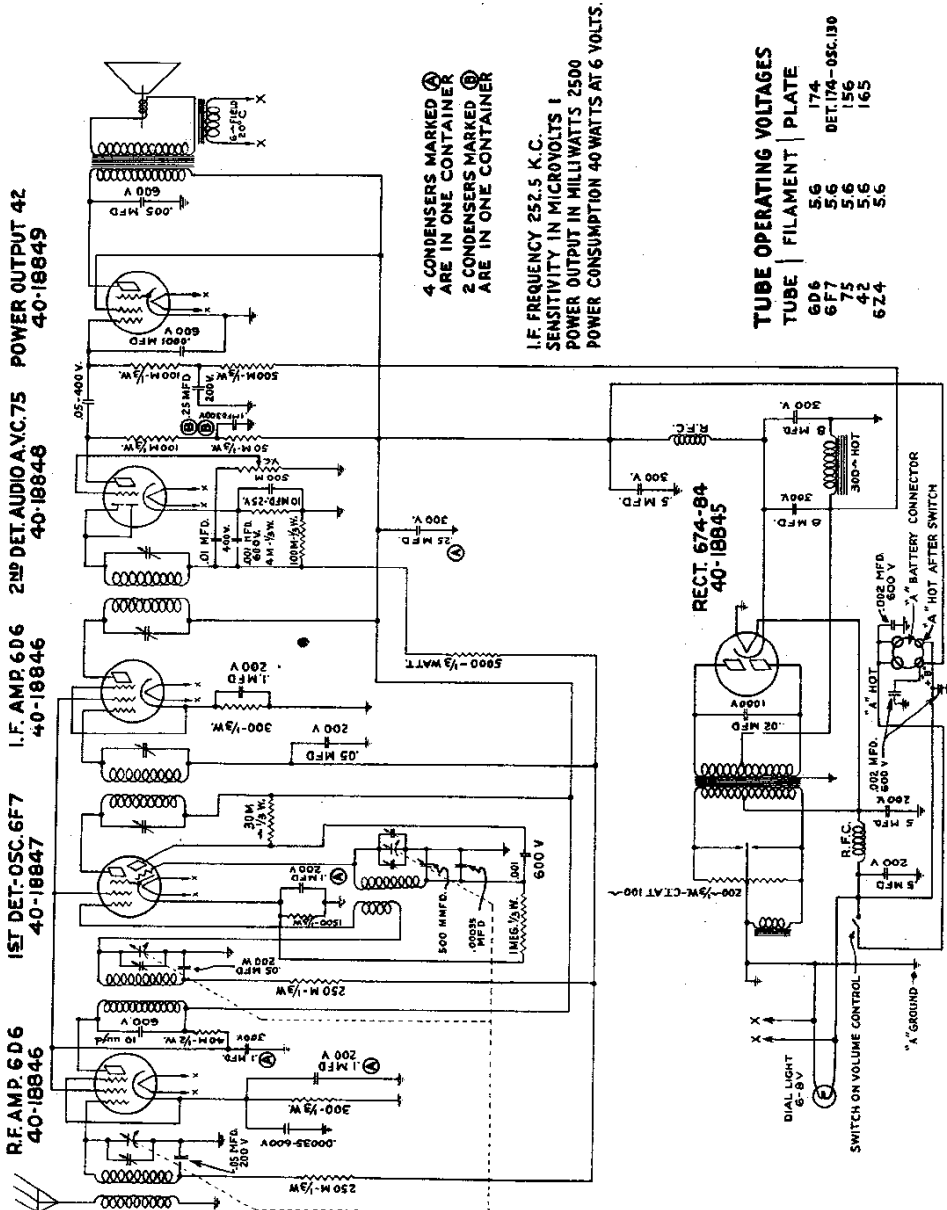
Bands:

Resources

Riders Volume 5 - FORD 5-4

MODEL Ford-Lincoln
Auto Radio Built by
Zenith
Schematic

FORD MOTOR CAR CO.



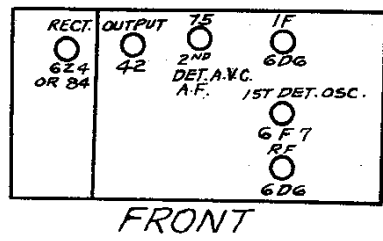
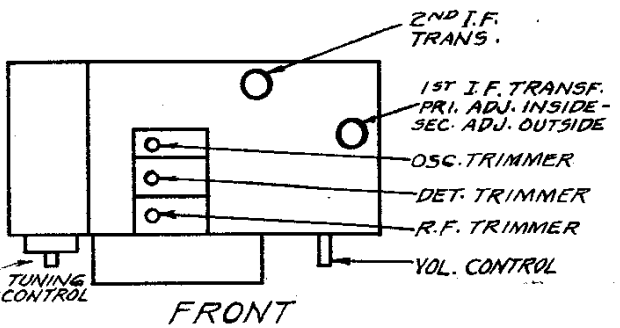
4 CONDENSERS MARKED **(A)**
ARE IN ONE CONTAINER
2 CONDENSERS MARKED **(B)**
ARE IN ONE CONTAINER

I.F. FREQUENCY 252.5 K.C.
SENSITIVITY IN MICROVOLTS 1
POWER OUTPUT IN MILLIWATTS 2500
POWER CONSUMPTION 40 WATTS AT 6 VOLTS.

TUBE OPERATING VOLTAGES

TUBE	FILAMENT	PLATE
6D6	5.6	174
6F7	5.6	DET. 174-OSC. 130
42	5.6	165
6Z4	5.6	5.6

FORD GLOVE BOX TYPE AUTO RADIO RECEIVER (BUILT BY ZENITH RADIO CORP.)



FRONT