

Fada Radio & Electric Co., Inc.

Model: 155

Chassis:

Year: Pre November 1935

Power:

Circuit:

IF:

Tubes:

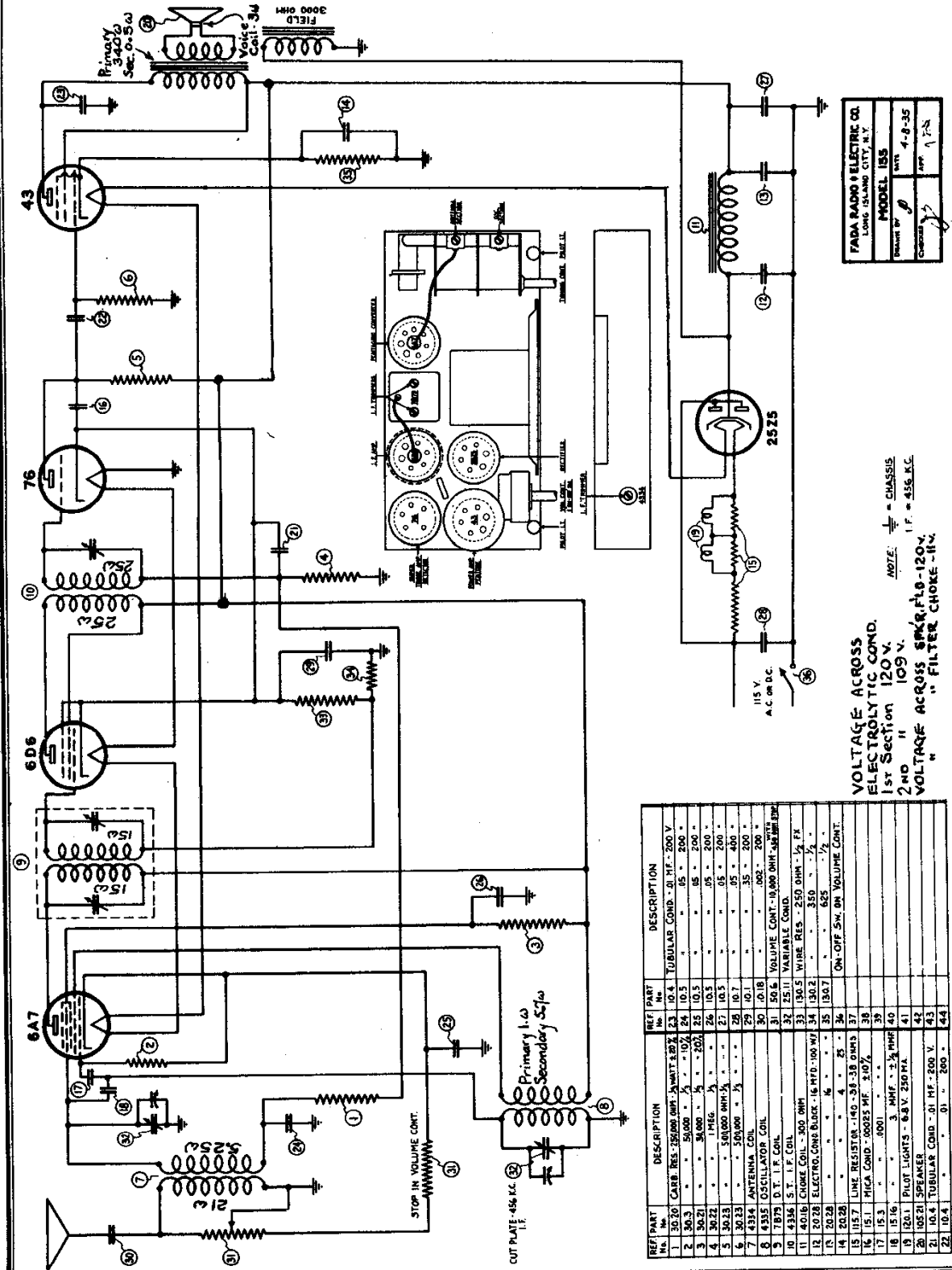
Bands:

Resources

Riders Volume 6 - FADA 6-3

FADA RADIO & ELECTRIC CORP.

MODEL 155
Schematic, Socket
Trimmers



FADA RADIO & ELECTRIC CO. LONG ISLAND CITY, N.Y.
MODEL 155
Drawn by <i>[Signature]</i>
Checked by <i>[Signature]</i>
DATE 4-8-35
APP 125

NOTE: $\text{---} \parallel \text{---}$ = CHASSIS
 VOLTAGE ACROSS ELECTROLYTIC COND. 1st Section 120 V.
 2nd " 109 V.
 VOLTAGE ACROSS SPEAKER 120 V.
 " FILTER CHOKE 110 V.

REF PART No.	DESCRIPTION	REF PART No.	DESCRIPTION
1	21Ω	23	0.4 TUBULAR COND. - 0.1 MF. - 200 V.
2	500Ω	24	0.5 " " " " " " " "
3	500Ω	25	0.5 " " " " " " " "
4	1MEG.	26	0.5 " " " " " " " "
5	50,000 OHMS	27	0.5 " " " " " " " "
6	50,000 "	28	0.7 " " " " " " " "
7	ANTENNA COIL	29	0.1 " " " " " " " "
8	OSCILLATOR COIL	30	0.18 " " " " " " " "
9	100Ω D.T. I.F. COIL	31	50% VOLUME CONT. - 10,000 OHMS
10	400Ω CURVE COIL - 400 OHMS	32	25.11 VARIABLE COND.
11	100Ω I.F. COIL	33	300.5 WIRE RES. - 250 OHMS - 1/2 FK
12	ELECTRO. COND. - 16 MF. - 100 V.	34	30.2 " " " " " " " "
13	100Ω	35	625 " " " " " " " "
14	200Ω	36	ON-OFF SW. ON VOLUME CONT.
15	LINK RESISTOR - 140 - 30 30 OHMS	37	
16	100Ω	38	
17	100Ω	39	
18	15Ω	40	
19	15Ω	41	
20	100Ω	42	
21	100Ω	43	
22	10.4	44	