

Pilot Radio Corp.

Model: 1010

Chassis:

Year: Pre June 1933

Power:

Circuit:

IF:

Tubes:

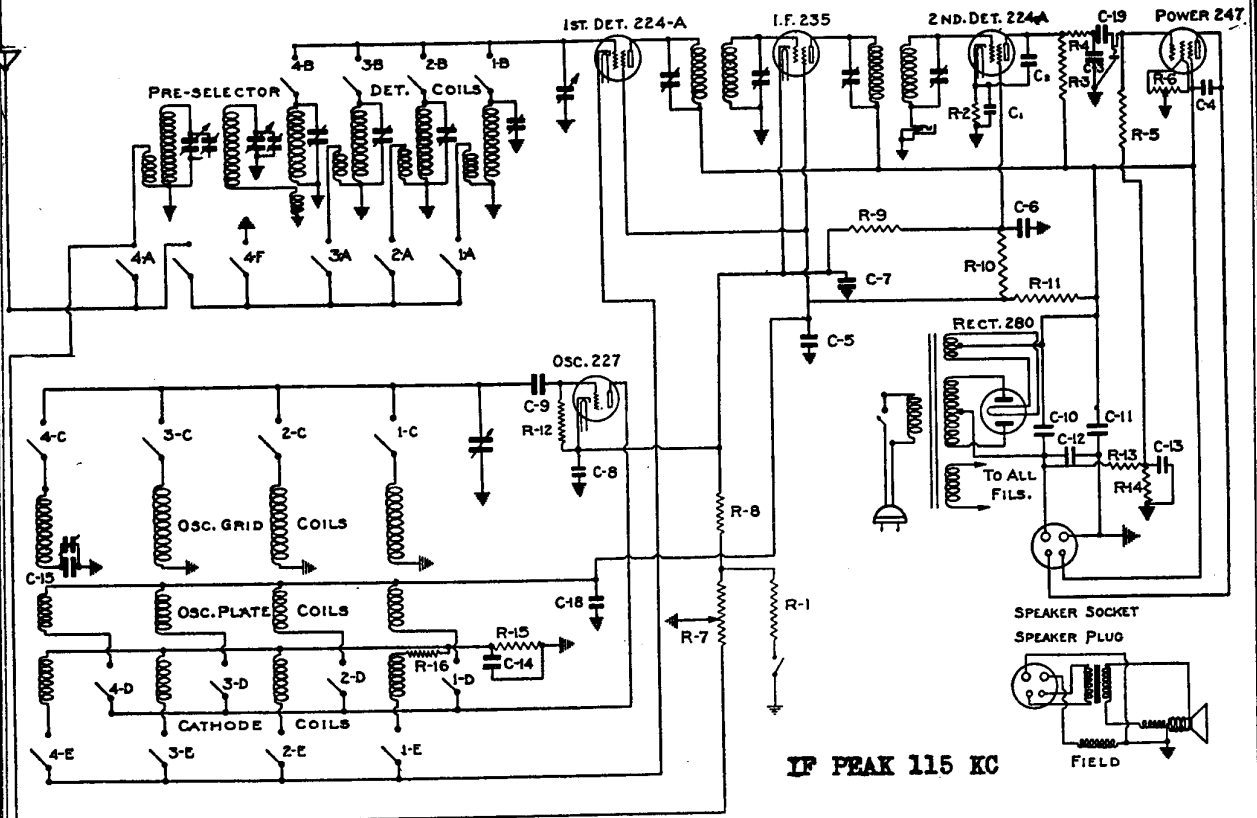
Bands:

Resources

Riders Volume 3 - PILOT 3-6

MODEL 1010
All Wave Dragon

PILOT RADIO & TUBE CORP.



IF PEAK 115 KC

VOLTAGES AT SOCKETS

As measured with a standard Weston Model 566 Tester—Line Voltage 115 Volts A.C.

Type Tube	Tube Position	A Vts.	B Vts.	C Vts.	Screen Vts.	Screen Current	Cath. Vts.	Plate Current
227	OSC	(a)	2.35	75	3.5*	4.	6.
		(b)	2.35	65	2.2*	36.	6.
224	1st DET	(a)	2.35	230	10	75	0.13	10
		(b)	2.35	236	11.5	100	0.15	11.5
235	I.F.	(a)	2.35	237	4.	80	1.95	4.
		(b)	2.35	212	36.	80	0	36
224	2nd DET	(a)	2.35	200†	5.	40	0.05	5.
		(b)	2.35	200†	7.5	65	0.07	7.5
247	Power	(a)	2.35	210	7.5‡	245	6.5	0
		(b)	2.35	215	7.5‡	250	7.2	0
280	Rect.	(a)	4.8	600				31.0
		(b)	4.8	600				29.0

(a)—Volume Control at Maximum.

(b)—Volume Control at Minimum.

*—Only when set is tuned to higher than 700 KC on B.C. band. No voltage reading on short wave bands.

†—On 1000 Volt Scale.

‡—On 250 Volt Scale. Not true bias but reading due to series resistance.

CONDENSERS

C1—25 mfd.	C10—8.0
C2—.0005	C11—8.0
C3—.0005	C12—.035
C4—.01	C13—.25
C5—.25	C14—.10
C6—.25	C15—.00148
C7—.25	C18—.1
C8—.10	C19—.01
C9—.0001 mfd.	

RESISTORS

R1— 6,000 ohms ½ W.	R9— 10,000 ohms ½ W.
R2— 40,000 " ½ W.	R10— 10,000 " ½ W.
R3— 250,000 " ½ W.	R11— 14,000 " 3 W.
R4— 50,000 " ½ W.	R12— 40,000 " ½ W.
R5— 500,000 " ½ W.	R13— 500,000 " ½ W.
R6— Center tap resistor	R14— 120,000 " ½ W.
R7— 10,000 ohms	R15— 10,000 " ½ W.
R8— 250 ohms ½ W.	R16— 500 " ½ W.