

## Sentinel Radio Corp.

**Model: 6800**

**Chassis:**

**Year: Pre October 1936**

**Power:**

**Circuit:**

**IF:**

**Tubes:**

**Bands:**

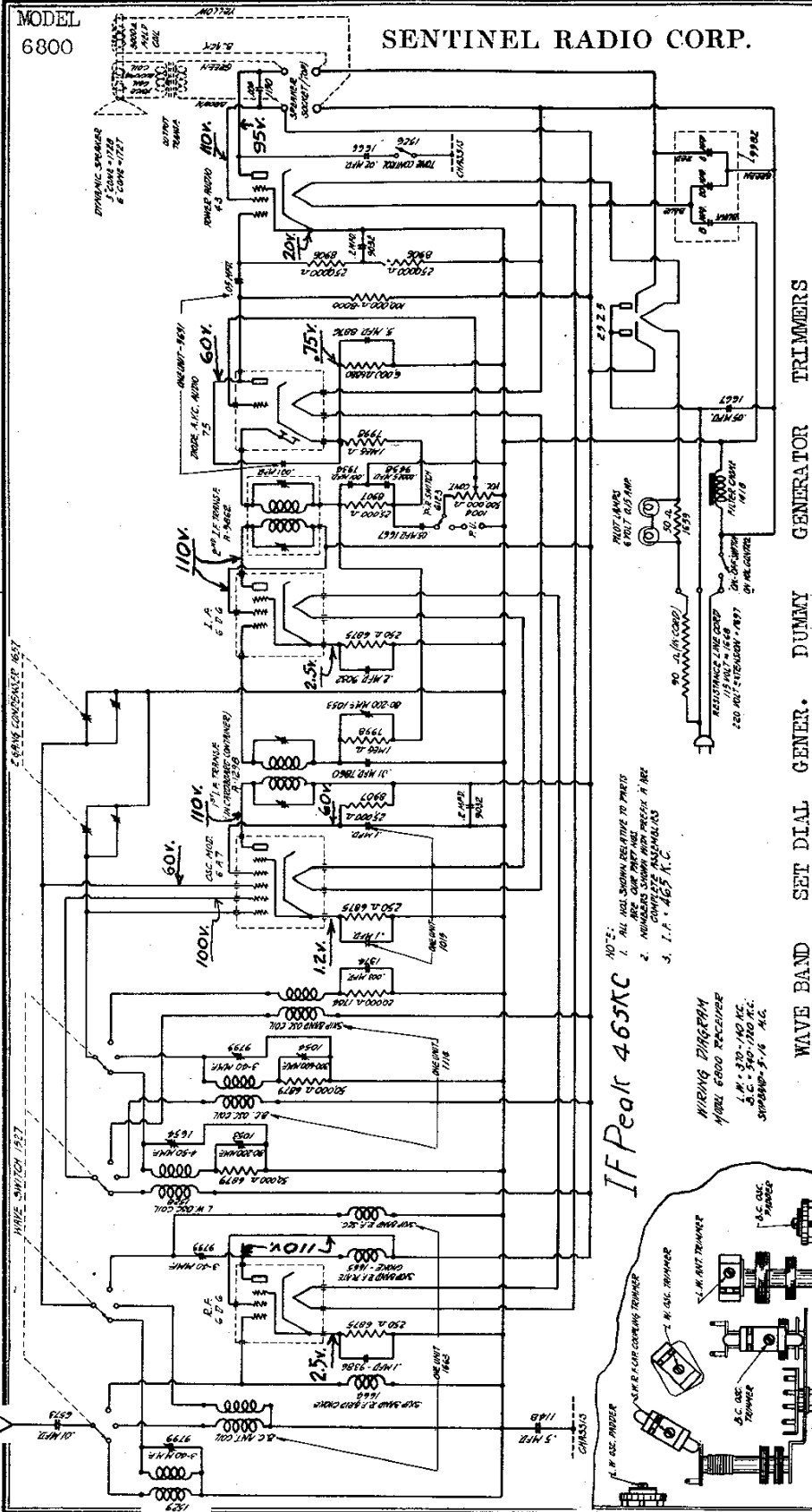
**Resources**

**Riders Volume 7 - SENTINEL 7-8**

SENTINEL RADIO CORP.

Schematic, Voltage Trimmers, Alignment

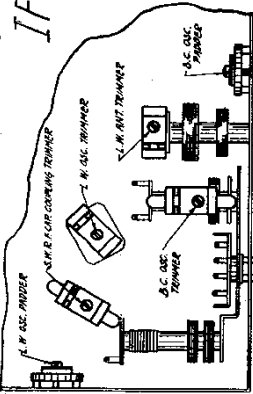
MODEL 6800



WAVE BAND SWIT. TO	SET DIAL TO	GENER. FREQ.	DUMMY ANTENNA CONNECTION	TRIMMERS ADJUSTED
Broadcast	550 kc.	465 kc.	See Note 6A7 Grid	1st & 2nd I.F.
"	14 mc.	14 mc.	.00025 mf. Ant. Term.	Osc. on gang cond.
"	1715-535 kc.	1400 kc.	"	S-W. Antenna
"	600 kc.	600 kc.	"	BC Osc.
"	320 kc.	320 kc.	"	BC Padder
"	340-130 kc.	320 kc.	"	L-W. Osc.
"	150 kc.	150 kc.	"	L-W. Osc. Padder

IF Peak 465KC

WIRING DIAGRAM  
 MODEL 6800 RECEIVER  
 I.F. - 320-140 KC.  
 S.C. - 540-120 K.C.  
 SUPPLY - 5-1/2 A.C.



NOTE: Leave grid cap disconnected and connect a 1 megohm resistor from the modulator grid to the chassis base.