

## Zenith Radio Corp.

**Model: 6-S-527**

**Chassis:**

**Year: Pre April 1941**

**Power:**

**Circuit:**

**IF:**

**Tubes:**

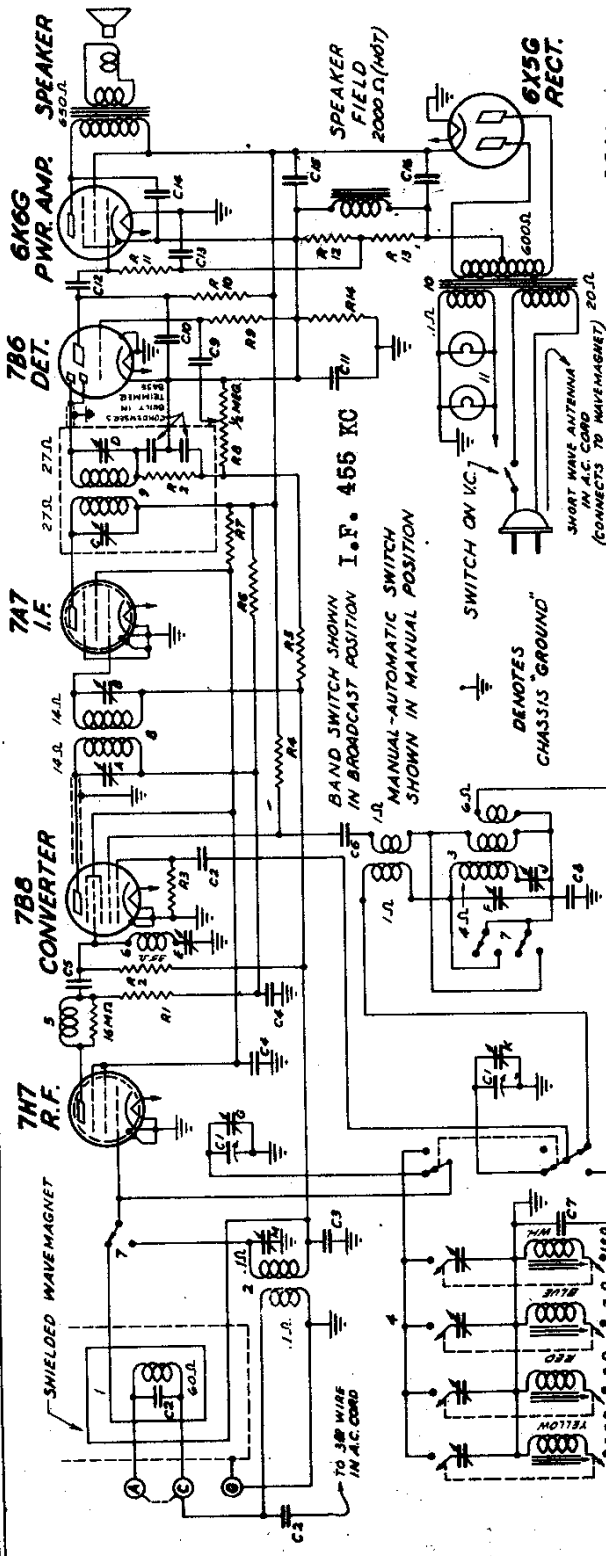
**Bands:**

**Resources**

**Riders Volume 12 - ZENITH 12-13**

ZENITH RADIO CORP.

MODEL 6S611, Ch. 6A18  
 MODELS 6S527, 6S528,  
 Ch. 6A02  
 MODEL 6S580, Ch. 6A04



MODEL 6S 511 49-384 5"  
 6S 527 49-384 5"  
 6S 528 49-384 5"

Stage Gains:  
 Ant. to R.F. grid—3.8× at 1000 Kc.  
 R.F. grid to conv. grid—10× at 1000 Kc.  
 Conv. grid to I.F. grid—71× at 455 Kc.  
 Overall audio—594× at .25 watt, 400 cycles.

PART NO.	DESCRIPTION	QTY.	PART NO.	DESCRIPTION	QTY.	PART NO.	DESCRIPTION	QTY.	PART NO.	DESCRIPTION	QTY.
R1	250 OHM VARIABLE	1	812	470 M OHM WIREWOUND	1/4 W.	1	1ET I.F. TRANS. PRI.	1	1	1ET I.F. TRANS. SEC.	1
R2	50 MFD.	1	813	42 OHM WIREWOUND	1/4 W.	2	1ET I.F.	1	2	2ND I.F.	1
R3	.05 MFD.	1	5 817A	WAVEMAGNET ASSEMBLY	1	3	2ND I.F.	1	3	2ND I.F.	1
R4	.05 MFD.	1	5 817B	ANTENNA COIL ASSEM.	1	4	2ND I.F.	1	4	2ND I.F.	1
R5	.05 MFD.	1	5 817C	OSCILLATOR COIL ASSEM.	1	5	2ND I.F.	1	5	2ND I.F.	1
R6	.05 MFD.	1	5 817D	AUTOMATIC TUNING ASSEM.	1	6	2ND I.F.	1	6	2ND I.F.	1
R7	.05 MFD.	1	5 817E	R.F. CHONEY & RES. ASSEM.	1	7	2ND I.F.	1	7	2ND I.F.	1
R8	.05 MFD.	1	5 817F	NAVITRAP COIL ASSEM.	1	8	2ND I.F.	1	8	2ND I.F.	1
R9	.05 MFD.	1	5 817G	NAVITRAP COIL ASSEM.	1	9	2ND I.F.	1	9	2ND I.F.	1
R10	.05 MFD.	1	5 817H	NAVITRAP COIL ASSEM.	1	10	2ND I.F.	1	10	2ND I.F.	1
R11	.05 MFD.	1	5 817I	NAVITRAP COIL ASSEM.	1	11	2ND I.F.	1	11	2ND I.F.	1
R12	.05 MFD.	1	5 817J	NAVITRAP COIL ASSEM.	1	12	2ND I.F.	1	12	2ND I.F.	1
C1	50 MFD.	1	5 817K	NAVITRAP COIL ASSEM.	1	13	2ND I.F.	1	13	2ND I.F.	1
C2	50 MFD.	1	5 817L	NAVITRAP COIL ASSEM.	1	14	2ND I.F.	1	14	2ND I.F.	1
C3	50 MFD.	1	5 817M	NAVITRAP COIL ASSEM.	1	15	2ND I.F.	1	15	2ND I.F.	1
C4	50 MFD.	1	5 817N	NAVITRAP COIL ASSEM.	1	16	2ND I.F.	1	16	2ND I.F.	1
C5	50 MFD.	1	5 817O	NAVITRAP COIL ASSEM.	1	17	2ND I.F.	1	17	2ND I.F.	1
C6	50 MFD.	1	5 817P	NAVITRAP COIL ASSEM.	1	18	2ND I.F.	1	18	2ND I.F.	1
C7	50 MFD.	1	5 817Q	NAVITRAP COIL ASSEM.	1	19	2ND I.F.	1	19	2ND I.F.	1
C8	50 MFD.	1	5 817R	NAVITRAP COIL ASSEM.	1	20	2ND I.F.	1	20	2ND I.F.	1
C9	50 MFD.	1	5 817S	NAVITRAP COIL ASSEM.	1	21	2ND I.F.	1	21	2ND I.F.	1
C10	50 MFD.	1	5 817T	NAVITRAP COIL ASSEM.	1	22	2ND I.F.	1	22	2ND I.F.	1
C11	50 MFD.	1	5 817U	NAVITRAP COIL ASSEM.	1	23	2ND I.F.	1	23	2ND I.F.	1
C12	50 MFD.	1	5 817V	NAVITRAP COIL ASSEM.	1	24	2ND I.F.	1	24	2ND I.F.	1
C13	50 MFD.	1	5 817W	NAVITRAP COIL ASSEM.	1	25	2ND I.F.	1	25	2ND I.F.	1
C14	50 MFD.	1	5 817X	NAVITRAP COIL ASSEM.	1	26	2ND I.F.	1	26	2ND I.F.	1
C15	50 MFD.	1	5 817Y	NAVITRAP COIL ASSEM.	1	27	2ND I.F.	1	27	2ND I.F.	1
C16	50 MFD.	1	5 817Z	NAVITRAP COIL ASSEM.	1	28	2ND I.F.	1	28	2ND I.F.	1
C17	50 MFD.	1	5 817AA	NAVITRAP COIL ASSEM.	1	29	2ND I.F.	1	29	2ND I.F.	1
C18	50 MFD.	1	5 817AB	NAVITRAP COIL ASSEM.	1	30	2ND I.F.	1	30	2ND I.F.	1
C19	50 MFD.	1	5 817AC	NAVITRAP COIL ASSEM.	1	31	2ND I.F.	1	31	2ND I.F.	1
C20	50 MFD.	1	5 817AD	NAVITRAP COIL ASSEM.	1	32	2ND I.F.	1	32	2ND I.F.	1
C21	50 MFD.	1	5 817AE	NAVITRAP COIL ASSEM.	1	33	2ND I.F.	1	33	2ND I.F.	1
C22	50 MFD.	1	5 817AF	NAVITRAP COIL ASSEM.	1	34	2ND I.F.	1	34	2ND I.F.	1
C23	50 MFD.	1	5 817AG	NAVITRAP COIL ASSEM.	1	35	2ND I.F.	1	35	2ND I.F.	1
C24	50 MFD.	1	5 817AH	NAVITRAP COIL ASSEM.	1	36	2ND I.F.	1	36	2ND I.F.	1
C25	50 MFD.	1	5 817AI	NAVITRAP COIL ASSEM.	1	37	2ND I.F.	1	37	2ND I.F.	1
C26	50 MFD.	1	5 817AJ	NAVITRAP COIL ASSEM.	1	38	2ND I.F.	1	38	2ND I.F.	1
C27	50 MFD.	1	5 817AK	NAVITRAP COIL ASSEM.	1	39	2ND I.F.	1	39	2ND I.F.	1
C28	50 MFD.	1	5 817AL	NAVITRAP COIL ASSEM.	1	40	2ND I.F.	1	40	2ND I.F.	1
C29	50 MFD.	1	5 817AM	NAVITRAP COIL ASSEM.	1	41	2ND I.F.	1	41	2ND I.F.	1
C30	50 MFD.	1	5 817AN	NAVITRAP COIL ASSEM.	1	42	2ND I.F.	1	42	2ND I.F.	1
C31	50 MFD.	1	5 817AO	NAVITRAP COIL ASSEM.	1	43	2ND I.F.	1	43	2ND I.F.	1
C32	50 MFD.	1	5 817AP	NAVITRAP COIL ASSEM.	1	44	2ND I.F.	1	44	2ND I.F.	1
C33	50 MFD.	1	5 817AQ	NAVITRAP COIL ASSEM.	1	45	2ND I.F.	1	45	2ND I.F.	1
C34	50 MFD.	1	5 817AR	NAVITRAP COIL ASSEM.	1	46	2ND I.F.	1	46	2ND I.F.	1
C35	50 MFD.	1	5 817AS	NAVITRAP COIL ASSEM.	1	47	2ND I.F.	1	47	2ND I.F.	1
C36	50 MFD.	1	5 817AT	NAVITRAP COIL ASSEM.	1	48	2ND I.F.	1	48	2ND I.F.	1
C37	50 MFD.	1	5 817AU	NAVITRAP COIL ASSEM.	1	49	2ND I.F.	1	49	2ND I.F.	1
C38	50 MFD.	1	5 817AV	NAVITRAP COIL ASSEM.	1	50	2ND I.F.	1	50	2ND I.F.	1
C39	50 MFD.	1	5 817AW	NAVITRAP COIL ASSEM.	1	51	2ND I.F.	1	51	2ND I.F.	1
C40	50 MFD.	1	5 817AX	NAVITRAP COIL ASSEM.	1	52	2ND I.F.	1	52	2ND I.F.	1
C41	50 MFD.	1	5 817AY	NAVITRAP COIL ASSEM.	1	53	2ND I.F.	1	53	2ND I.F.	1
C42	50 MFD.	1	5 817AZ	NAVITRAP COIL ASSEM.	1	54	2ND I.F.	1	54	2ND I.F.	1
C43	50 MFD.	1	5 817BA	NAVITRAP COIL ASSEM.	1	55	2ND I.F.	1	55	2ND I.F.	1
C44	50 MFD.	1	5 817BB	NAVITRAP COIL ASSEM.	1	56	2ND I.F.	1	56	2ND I.F.	1
C45	50 MFD.	1	5 817BC	NAVITRAP COIL ASSEM.	1	57	2ND I.F.	1	57	2ND I.F.	1
C46	50 MFD.	1	5 817BD	NAVITRAP COIL ASSEM.	1	58	2ND I.F.	1	58	2ND I.F.	1
C47	50 MFD.	1	5 817BE	NAVITRAP COIL ASSEM.	1	59	2ND I.F.	1	59	2ND I.F.	1
C48	50 MFD.	1	5 817BF	NAVITRAP COIL ASSEM.	1	60	2ND I.F.	1	60	2ND I.F.	1
C49	50 MFD.	1	5 817BG	NAVITRAP COIL ASSEM.	1	61	2ND I.F.	1	61	2ND I.F.	1
C50	50 MFD.	1	5 817BH	NAVITRAP COIL ASSEM.	1	62	2ND I.F.	1	62	2ND I.F.	1
C51	50 MFD.	1	5 817BI	NAVITRAP COIL ASSEM.	1	63	2ND I.F.	1	63	2ND I.F.	1
C52	50 MFD.	1	5 817BJ	NAVITRAP COIL ASSEM.	1	64	2ND I.F.	1	64	2ND I.F.	1
C53	50 MFD.	1	5 817BK	NAVITRAP COIL ASSEM.	1	65	2ND I.F.	1	65	2ND I.F.	1
C54	50 MFD.	1	5 817BL	NAVITRAP COIL ASSEM.	1	66	2ND I.F.	1	66	2ND I.F.	1
C55	50 MFD.	1	5 817BM	NAVITRAP COIL ASSEM.	1	67	2ND I.F.	1	67	2ND I.F.	1
C56	50 MFD.	1	5 817BN	NAVITRAP COIL ASSEM.	1	68	2ND I.F.	1	68	2ND I.F.	1
C57	50 MFD.	1	5 817BO	NAVITRAP COIL ASSEM.	1	69	2ND I.F.	1	69	2ND I.F.	1
C58	50 MFD.	1	5 817BP	NAVITRAP COIL ASSEM.	1	70	2ND I.F.	1	70	2ND I.F.	1
C59	50 MFD.	1	5 817BQ	NAVITRAP COIL ASSEM.	1	71	2ND I.F.	1	71	2ND I.F.	1
C60	50 MFD.	1	5 817BR	NAVITRAP COIL ASSEM.	1	72	2ND I.F.	1	72	2ND I.F.	1
C61	50 MFD.	1	5 817BS	NAVITRAP COIL ASSEM.	1	73	2ND I.F.	1	73	2ND I.F.	1
C62	50 MFD.	1	5 817BT	NAVITRAP COIL ASSEM.	1	74	2ND I.F.	1	74	2ND I.F.	1
C63	50 MFD.	1	5 817BU	NAVITRAP COIL ASSEM.	1	75	2ND I.F.	1	75	2ND I.F.	1
C64	50 MFD.	1	5 817BV	NAVITRAP COIL ASSEM.	1	76	2ND I.F.	1	76	2ND I.F.	1
C65	50 MFD.	1	5 817BW	NAVITRAP COIL ASSEM.	1	77	2ND I.F.	1	77	2ND I.F.	1
C66	50 MFD.	1	5 817BX	NAVITRAP COIL ASSEM.	1	78	2ND I.F.	1	78	2ND I.F.	1
C67	50 MFD.	1	5 817BY	NAVITRAP COIL ASSEM.	1	79	2ND I.F.	1	79	2ND I.F.	1
C68	50 MFD.	1	5 817BZ	NAVITRAP COIL ASSEM.	1	80	2ND I.F.	1	80	2ND I.F.	1
C69	50 MFD.	1	5 817CA	NAVITRAP COIL ASSEM.	1	81	2ND I.F.	1	81	2ND I.F.	1
C70	50 MFD.	1	5 817CB	NAVITRAP COIL ASSEM.	1	82	2ND I.F.	1	82	2ND I.F.	1
C71	50 MFD.	1	5 817CC	NAVITRAP COIL ASSEM.	1	83	2ND I.F.	1	83	2ND I.F.	1
C72	50 MFD.	1	5 817CD	NAVITRAP COIL ASSEM.	1	84	2ND I.F.	1	84	2ND I.F.	1
C73	50 MFD.	1	5 817CE	NAVITRAP COIL ASSEM.	1	85	2ND I.F.	1	85	2ND I.F.	1
C74	50 MFD.	1	5 817CF	NAVITRAP COIL ASSEM.	1	86	2ND I.F.	1	86	2ND I.F.	1
C75	50 MFD.	1	5 817CG	NAVITRAP COIL ASSEM.	1	87	2ND I.F.	1	87	2ND I.F.	1
C76	50 MFD.	1	5 817CH	NAVITRAP COIL ASSEM.	1	88	2ND I.F.	1	88	2ND I.F.	1
C77	50 MFD.	1	5 817CI	NAVITRAP COIL ASSEM.	1	89	2ND I.F.	1	89	2ND I.F.	1
C78	50 MFD.	1	5 817CJ	NAVITRAP COIL ASSEM.	1	90	2ND I.F.	1	90	2ND I.F.	1
C79	50 MFD.	1	5 817CK	NAVITRAP COIL ASSEM.	1	91	2ND I.F.	1	91	2ND I.F.	1
C80	50 MFD.	1	5 817CL	NAVITRAP COIL ASSEM.	1	92	2ND I.F.	1	92	2ND I.F.	1
C81	50 MFD.	1	5 817CM	NAVITRAP COIL ASSEM.	1	93	2ND I.F.	1	93	2ND I.F.	1
C82	50 MFD.	1	5 817CN	NAVITRAP COIL ASSEM.	1	94	2ND I.F.	1	94	2ND I.F.	1
C83	50 MFD.	1	5 817CO	NAVITRAP COIL ASSEM.	1	95	2ND I.F.	1	95	2ND I.F.	1
C84	50 MFD.	1	5 817CP	NAVITRAP COIL ASSEM.	1	96	2ND I.F.	1	96	2ND I.F.	1
C85	50 MFD.	1	5 817CQ	NAVITRAP COIL ASSEM.	1	97	2ND I.F.	1	97	2ND I.F.	1
C86	50 MFD.	1	5 817CR	NAVITRAP COIL ASSEM.	1	98	2ND I.F.	1	98	2ND I.F.	1
C87	50 MFD.	1	5 817CS	NAVITRAP COIL ASSEM.	1	99	2ND I.F.	1	99	2ND I.F.	1
C88	50 MFD.	1	5 817CT	NAVITRAP COIL ASSEM.	1	100	2ND I.F.	1	100	2ND I.F.	1
C89	50 MFD.	1	5 817CU	NAVITRAP COIL ASSEM.	1	101	2ND I.F.	1	101	2ND I.F.	1
C90	50 MFD.	1	5 817CV	NAVITRAP COIL ASSEM.	1	102	2ND I.F.	1	102	2ND I.F.	1
C91	50 MFD.	1	5 817CW	NAVITRAP COIL ASSEM.	1	103	2ND I.F.	1	103	2ND I.F.	1