

Zenith Radio Corp.

Model: 6-S-511

Chassis:

Year: Pre April 1941

Power:

Circuit:

IF:

Tubes:

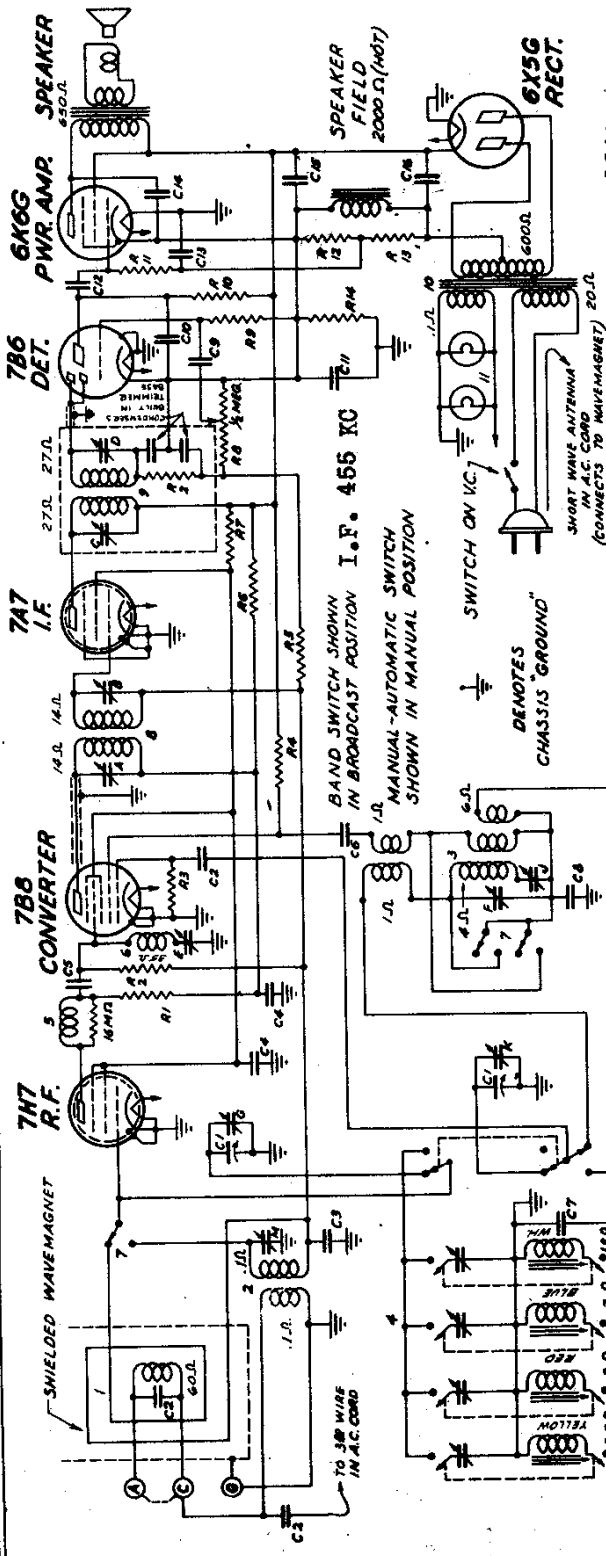
Bands:

Resources

Riders Volume 12 - ZENITH 12-13

ZENITH RADIO CORP.

MODEL 6S611, Ch. 6A18
 MODELS 6S527, 6S528,
 Ch. 6A02
 MODEL 6S580, Ch. 6A04

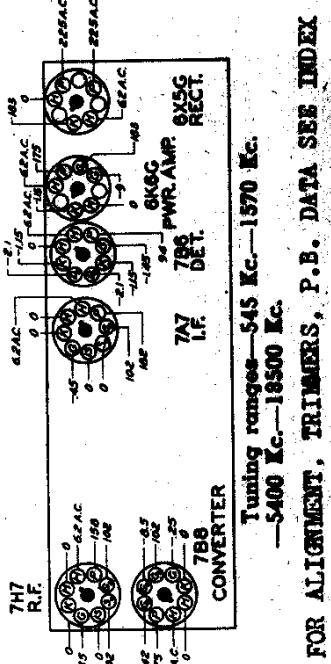


-1940-
 MODEL 6S 511 SPEAKER 5"
 6S 527 49-384 5"
 6S 528 49-384 5"

Stage Gains:
 Ant. to R.F. grid—3.8X at 1000 Kc.
 R.F. grid to conv. grid—10X at 1000 Kc.
 Conv. grid to I.F. grid—71X at 455 Kc.
 Overall audio—594X at .25 watt, 400 cycles.

PART NO.	DESCRIPTION	QTY.	PART NO.	DESCRIPTION	QTY.	PART NO.	DESCRIPTION	QTY.
R 1	500 OHM	1	812	470 M OHM WIREWOUND	1/4 W.	1	1ET I.F. TRANS. PRI.	1
R 2	4700 OHM	1	814	42 OHM WIREWOUND	1/4 W.	2	1ET I.F. SEC.	1
R 3	500 OHM	1	5 8376	WAVEMAGNET ASSEMBLY	1	3	2ND I.F. PRI.	1
R 4	400 V	1	5 8377	ANTENNA COIL ASSEMB.	1	4	2ND I.F. SEC.	1
R 5	400 V	1	5 8378	OSCILLATOR COIL ASSEMB.	1	5	32-108 WAVETRAP	1
R 6	600 V	1	5 8379	AUTOMATIC TUNING ASSEM.	1	6	32-109 BROADCAST OSC.	1
R 7	600 V	1	5 8380	R.F. CHOKES & RES. ASSEM.	1	7	32-102 BROADCAST ANT.(BU GAUGE)	1
R 8	600 V	1	5 8381	WAVETRAP COIL ASSEMB.	1	8	32-103 BROADCAST WAVE COIL (BU GAUGE)	1
R 9	600 V	1	5 8382	HAND TUNING CONTROL	1	9	32-104 SHORT WAVE ANTENNA	1
R 10	600 V	1	5 8383	2ND I.F. TRANSFORMER	1	10	32-101 SHORT WAVE ANTENNA	1
R 11	600 V	1	5 8384	1ST I.F. TRANSFORMER	1	11	32-101 SHORT WAVE ANTENNA	1
R 12	600 V	1	5 8385	PILOT LIGHT 2.5 V. 1/8 A.	1			

NOTE
 Chassis 6A04 has phone connections added
 Chassis 6A13 and 6A14 are identical with 6A02 except for color of automatic knobs.



Tuning ranges—545 Kc.—1570 Kc.
 —5400 Kc.—18500 Kc.

FOR ALIGNMENT, TRIMMERS, P. B. DATA SEE INDEX

All voltages measured with a 20,000 ohm per volt meter from chassis to socket contact indicated.
 All voltages are positive D.C. unless marked otherwise.
 Volume control full on.
 Line voltage 117 A.C.
 Power consumption 6A02-6A13—114-40 watts.
 Power consumption 6A04 — 55 watts.
 Power output—2.6 watts.