

National Carbon Co.

Model: 31

Chassis:

Year: Pre 1932

Power:

Circuit:

IF:

Tubes:

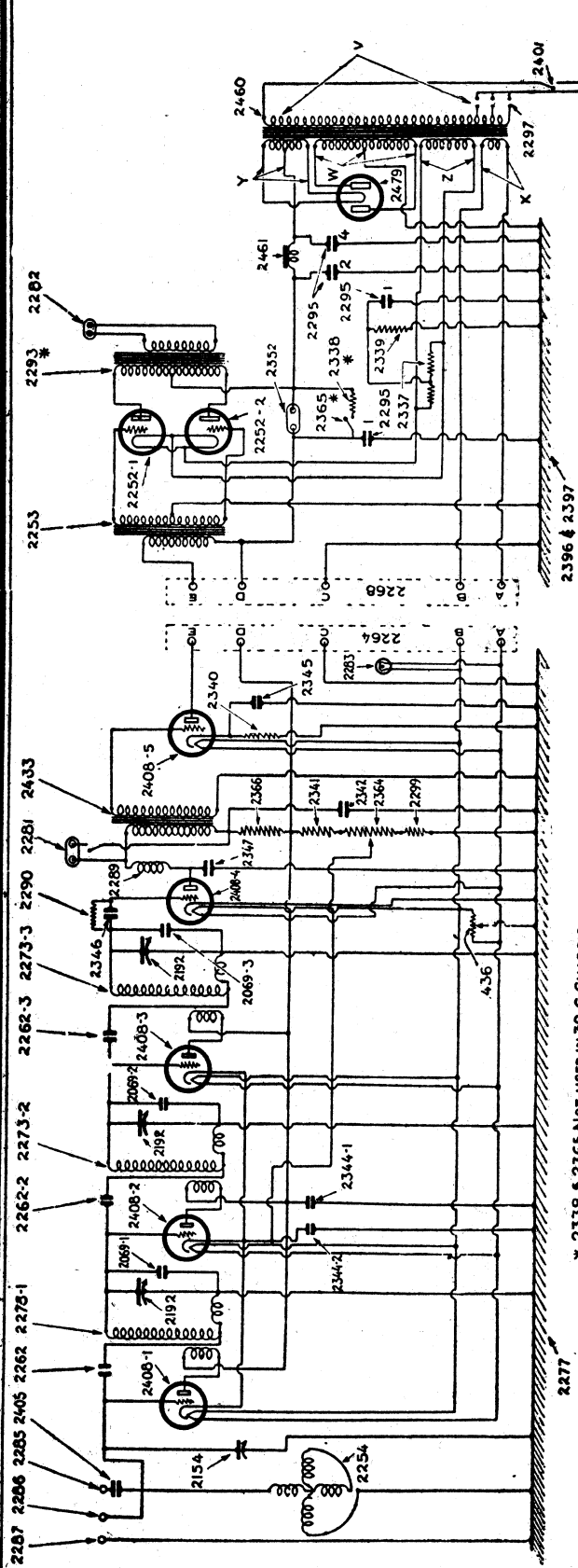
Bands:

Resources

Riders Volume 1 - NAT. CARBON 1-2

MODEL 31, 32, 33, 34
Eveready

NATIONAL CARBON CO.



* 2338 & 2365 NOT USED IN 30-C CHASSIS
2293 REPLACED BY 2463 IN 30-C CHASSIS

* Not used in 30-C chassis.

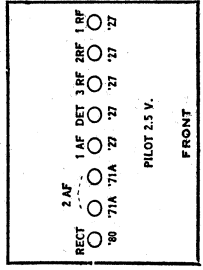
NORMAL WORKING VOLTAGES (APPROXIMATE)

Tube	Filament	Plate	Grid
1 R.F.	A.C. 2.45	D.C. 100	D.C. 6
2 R.F.	A.C. 2.45	D.C. 100	D.C. 6
3 R.F.	A.C. 2.45	D.C. 100	D.C. 6
Detector	A.C. 2.45	D.C. 50	-
1 A.F.	A.C. 2.45	D.C. 100	D.C. 4.5
Output stage	A.C. 2.45	D.C. 175	D.C. 38
Rectifier Receiver	A.C. 5.1	A.C. 5.1	-

(Line Voltage 119. Set on 115 Volt Tap. Volume Control on Full.)

PART NO. ELECTRICAL VALUE PART NO. ELECTRICAL VALUE

2290	2	megohms	2344-1	.5	mfd
2366	17500	ohms	2344-2	.5	mfd
2299	175	ohms	2405	.0001	mfd
2340	1750	ohms	2346	.0001	mfd
2341	3500	ohms	2347	.00025	mfd
2436	10	ohms	2343	2	mfd
2364	600	ohms	2345	1	mfd
2339	1000	ohms*			
2388	2500	ohms*			



Models Eveready's 31, 32, 33, 34