

## Kolster Radio Corp.

**Model: K-22**

**Chassis:**

**Year: Pre 1932**

**Power:**

**Circuit:**

**IF:**

**Tubes:**

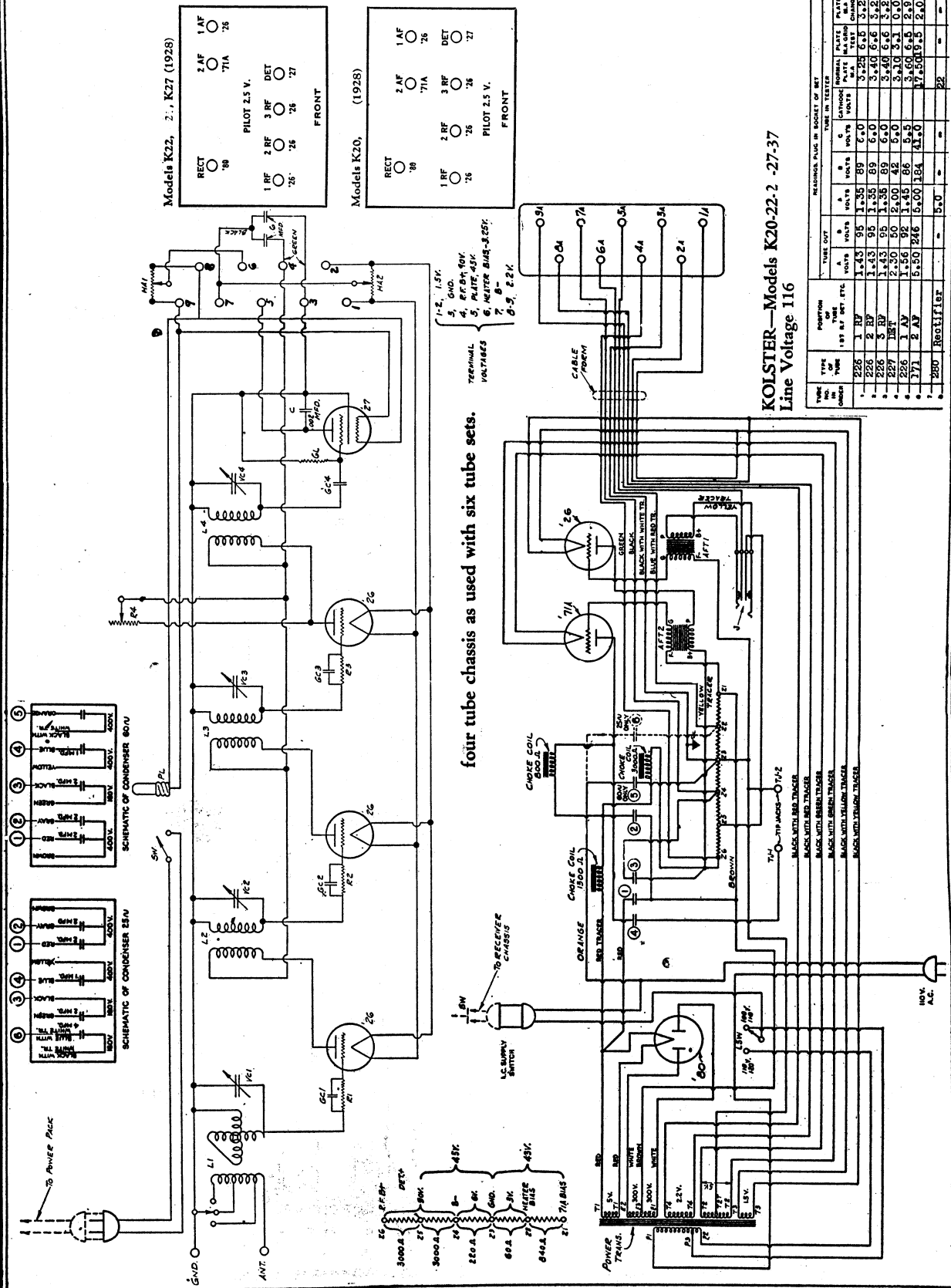
**Bands:**

**Resources**

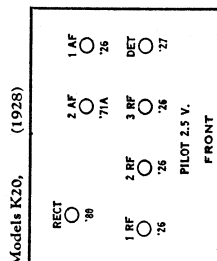
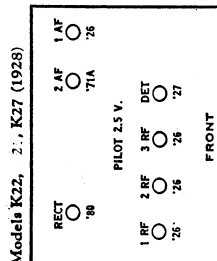
**Riders Volume 1 - KOLSTER 1-3**

MODEL K-20, K-22, K-27  
Schematic, Voltage

KOLSTER RADIO, INC.



four tube chassis as used with six tube sets.



- TERMINAL VOLTAGES
- 1-2, 1.5V.
  - 3, GND.
  - 4, EFF. 80V.
  - 5, HEAT. 2.5V.
  - 6, HEAT. 2.5V.
  - 7, 8, 2.5V.
  - 9-9, 2.5V.

KOLSTER—Models K20-22-2 -27-37  
Line Voltage 116

TUBE NO.	TYPE	POSITION	TUBE OUT			TUBE IN TESTER			PLATE VOLTAGE	GRID VOLTAGE	SCREEN VOLTAGE
			A VOLTS	B VOLTS	C VOLTS	A VOLTS	B VOLTS	C VOLTS			
1	2Z6	1 RF	1.43	95	1.85	89	7.0	5.25	6.0	5.25	
2	2Z7	2 RF	1.43	95	1.85	89	7.0	5.40	6.6	5.2	
3	2A7	3 RF	1.43	95	1.85	89	6.0	3.40	6.6	5.2	
4	2A5	1 AV	2.50	50	2.00	42	5.0	3.10	3.1	0.0	
5	2A4	2 AV	2.50	50	2.00	42	5.0	3.10	3.1	0.0	
6	2A3	3 AV	2.50	50	2.00	42	5.0	3.10	3.1	0.0	
7	2A2	4 AV	2.50	50	2.00	42	5.0	3.10	3.1	0.0	
8	2A1	5 AV	2.50	50	2.00	42	5.0	3.10	3.1	0.0	
9	280	Rectifier	5.50	246	5.00	184	41.0	37.50	37.5	2.0	