

## Kolster Radio Corp.

**Model: K-20**

**Chassis:**

**Year: Pre 1932**

**Power:**

**Circuit:**

**IF:**

**Tubes:**

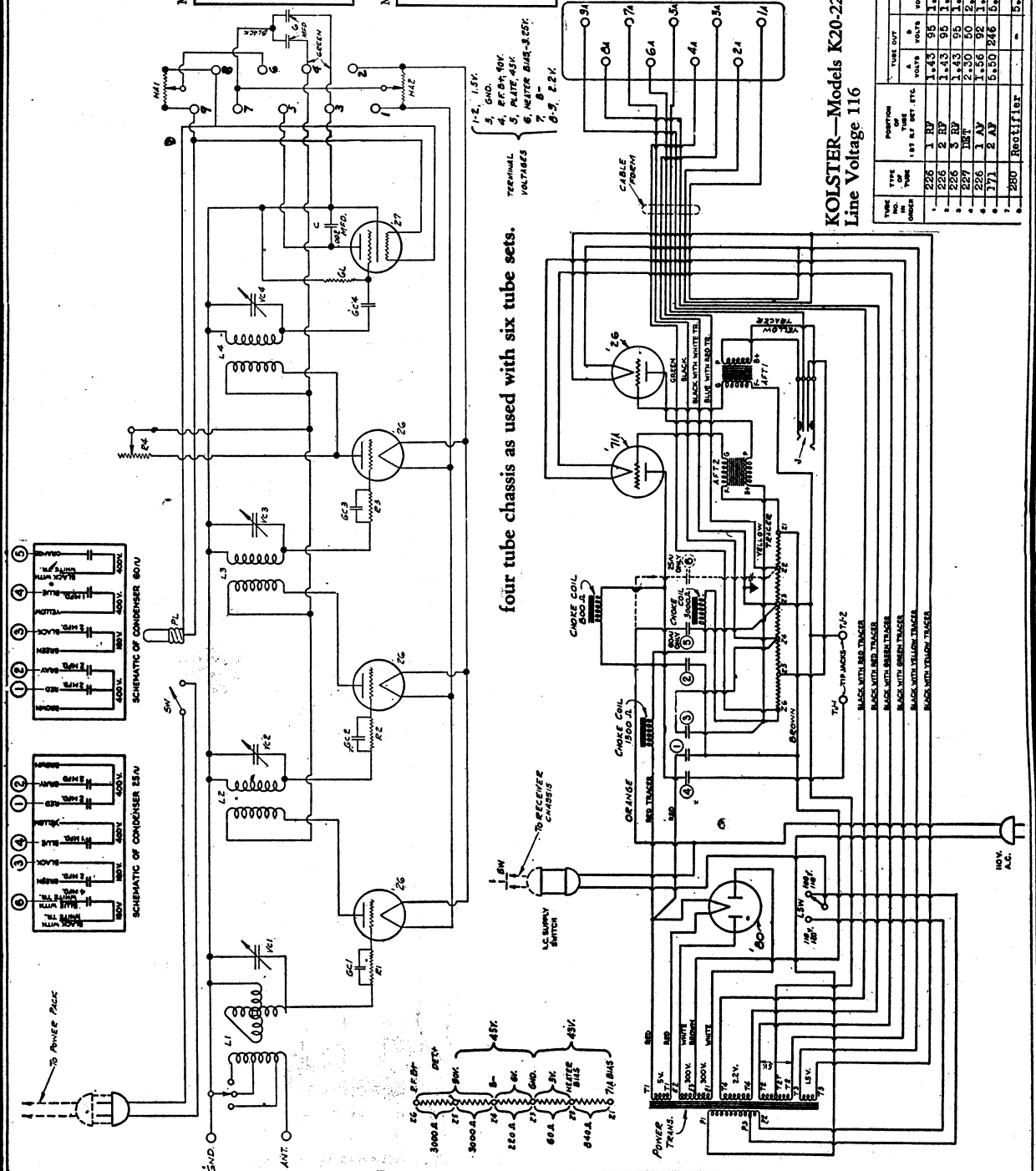
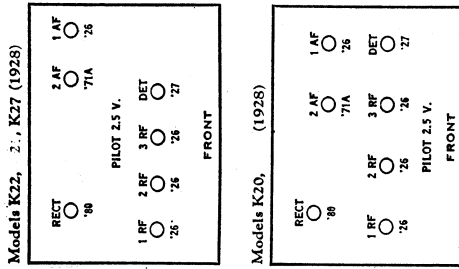
**Bands:**

**Resources**

**Riders Volume 1 - KOLSTER 1-3**

MODEL K-20, K-22, K-27  
Schematic, Voltage

KOLSTER RADIO, INC.



four tube chassis as used with six tube sets.

- 1-2, 1.5V.
- 3, GND.
- 4, EFF. 80V.
- 5, 142V-0-142V.
- 6, NEUTR. BIAS-3.55V.
- 7, 8
- 8-9, 2.5K.

KOLSTER—Models K20-22-2 -27-37  
Line Voltage 116

TUBE NO.	TYPE	POSITION	TUBE OUT			TUBE IN TESTER			PLATE VOLTS	GRID VOLTS	SCREEN VOLTS	CATHODE VOLTS
			A	B	C	A	B	C				
1	226	1 RF	1.43	95	1.55	89	7.0	3.25	6.0	5.25	5.25	
2	226	2 RF	1.43	95	1.55	89	6.0	3.40	6.6	5.2	5.2	
3	226	3 RF	1.43	95	1.55	89	6.0	3.40	6.6	5.2	5.2	
4	266	1 AV	2.50	50	2.00	42	5.0	3.10	3.1	0.0	0.0	
5	266	2 AV	5.50	246	5.00	184	41.0	3.60	6.5	2.9	2.9	
6	280	Rectifier	-	5.0	-	-	-	37.5	0.5	2.0	-	