

Gulbransen Co.

Model: 60

Chassis:

Year: Pre 1932

Power:

Circuit:

IF:

Tubes:

Bands:

Resources

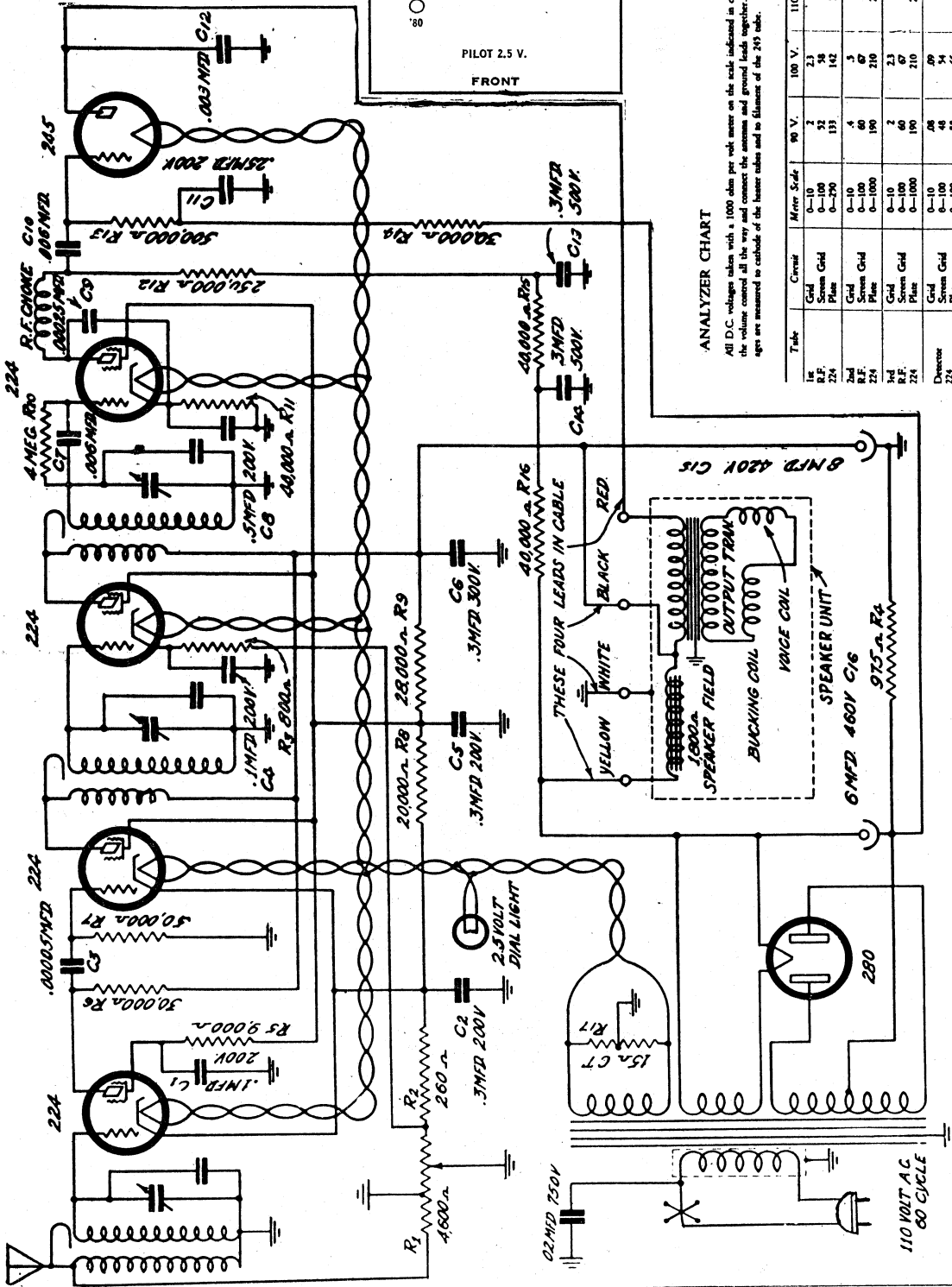
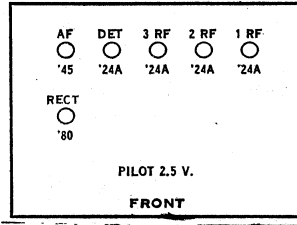
Riders Volume 1 - GULBRANSEN 1-1

Riders Volume 1 - GULBRANSEN 1-2

GULBRANSEN CO.

MODEL 60, 63
Schematic
Voltage

Model 63-33 (1930)



ANALYZER CHART

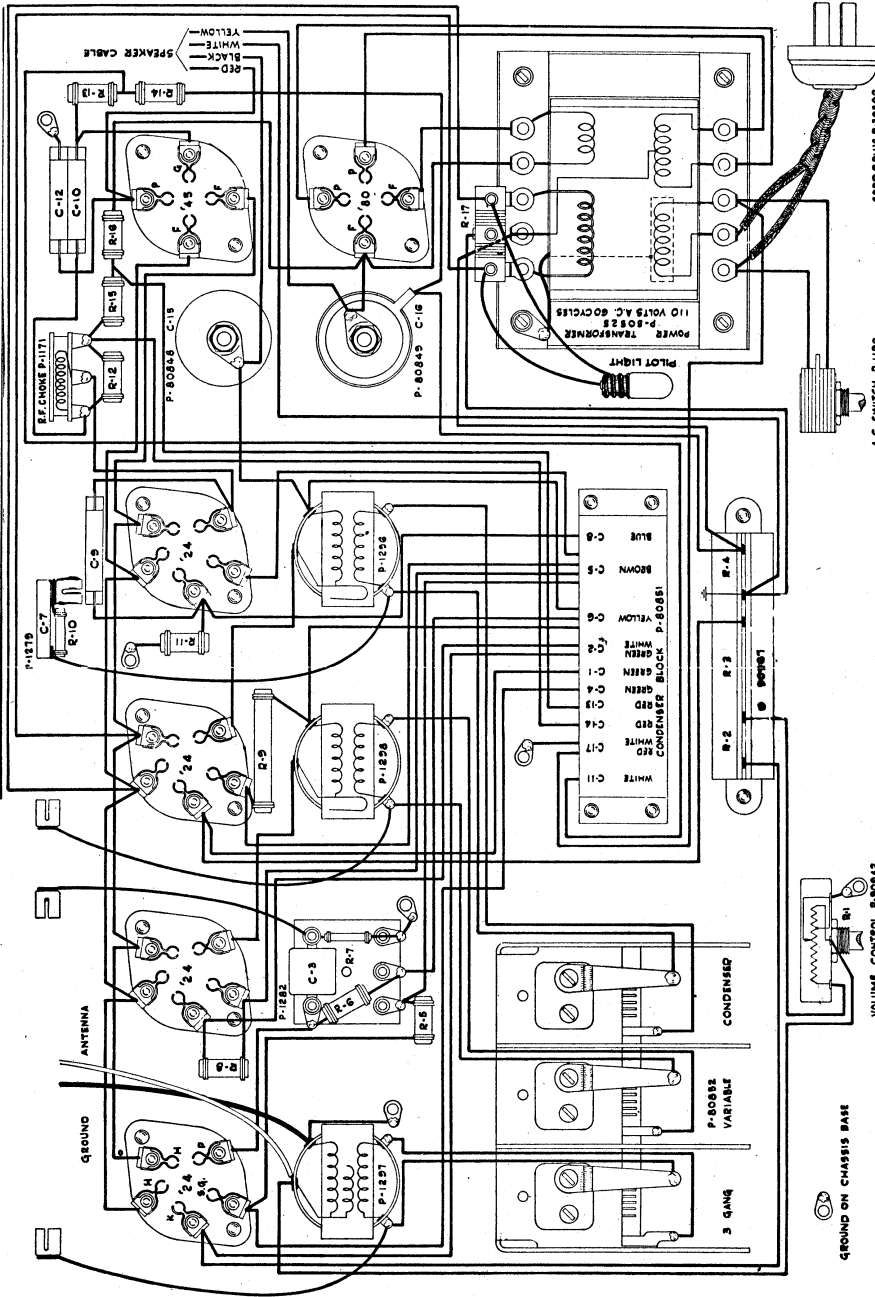
All D.C. voltages taken with a 1000 ohm per volt meter on the scale indicated in column headed "Meter Scale." Turn on the volume control all the way and connect the antenna and ground leads together. The grid, plate, and screen grid voltages are measured in cathode of the heater tubes and to filament of the 2A7 tube.

Tube	Control	Meter Scale	90 V.	100 V.	110 V.	120 V.	130 V.	150 V.
1st R.F.	Grid	0-10	2	2.3	2.5	3	3.5	3.7
2nd R.F.	Screen Grid	0-100	25	28	31	35	40	45
2nd R.F.	Plate	0-250	133	142	155	167	178	
3rd R.F.	Grid	0-10	4	5	5	7	8	
3rd R.F.	Screen Grid	0-100	60	67	72	78	83	
3rd R.F.	Plate	0-1000	190	210	230	250	278	
Detector	Grid	0-10	2	2.3	2.5	3	3.3	
Detector	Screen Grid	0-100	60	67	72	78	83	
Detector	Plate	0-1000	190	210	230	250	278	
Detector	Grid	0-10	0.8	0.9	0.9	1.1	1.2	
Detector	Screen Grid	0-100	48	54	59	63	67	
Detector	Plate	0-100	98	66	66	72	87	
Audio	Grid	0-100	23	27	31	35	40	
Audio	Screen Grid	0-1000	202	222	242	262	282	
280 Rectifier	Plate	0-100	40	45	50	56	64	
280 Rectifier	Current	0-100	mil.	mil.	mil.	mil.	mil.	
280 Rectifier	Filament to Ground	0-1000	265	298	330	358	392	

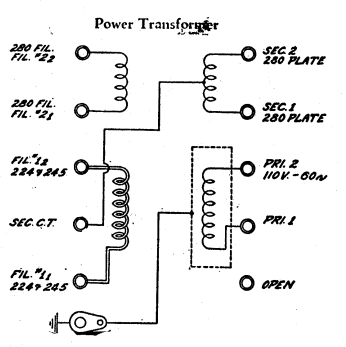
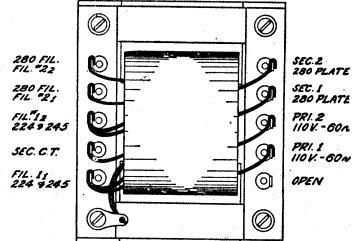
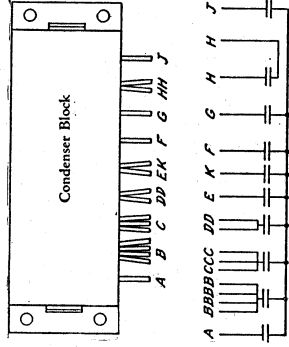
MODEL 60/63 SCHEMATIC WIRING DIAGRAM

MODEL 60, 63
Chassis

GULBRANSEN CO.



LEAD CODE	COLOR	CAPACITY
A	C-8	0.5 MFD
B	C-5	0.3 MFD
C	C-6	0.3 MFD
D	C-2	0.3 MFD
E	C-4	0.1 MFD
F	C-14	0.3 MFD
G	C-15	0.3 MFD
H	C-17	0.05 MFD
J	C-11	0.05 MFD
K	C-7	0.01 MFD



GROUND ON CHASSIS BASE