

Grigsby-Grunow Co.

Model: 92

Chassis:

Year: Pre 1932

Power:

Circuit:

IF:

Tubes:

Bands:

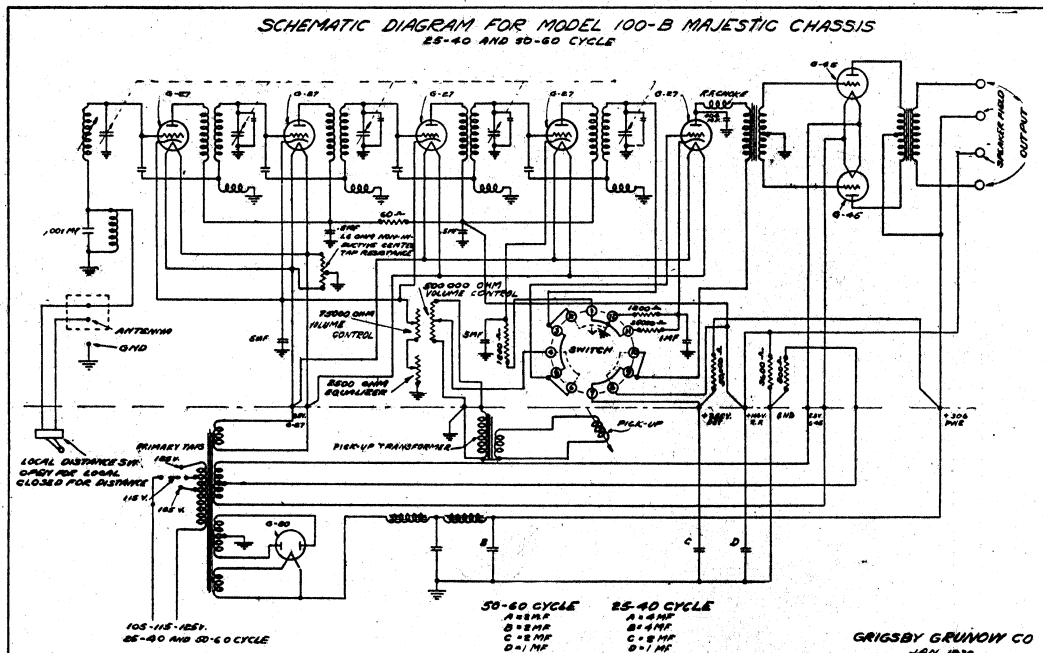
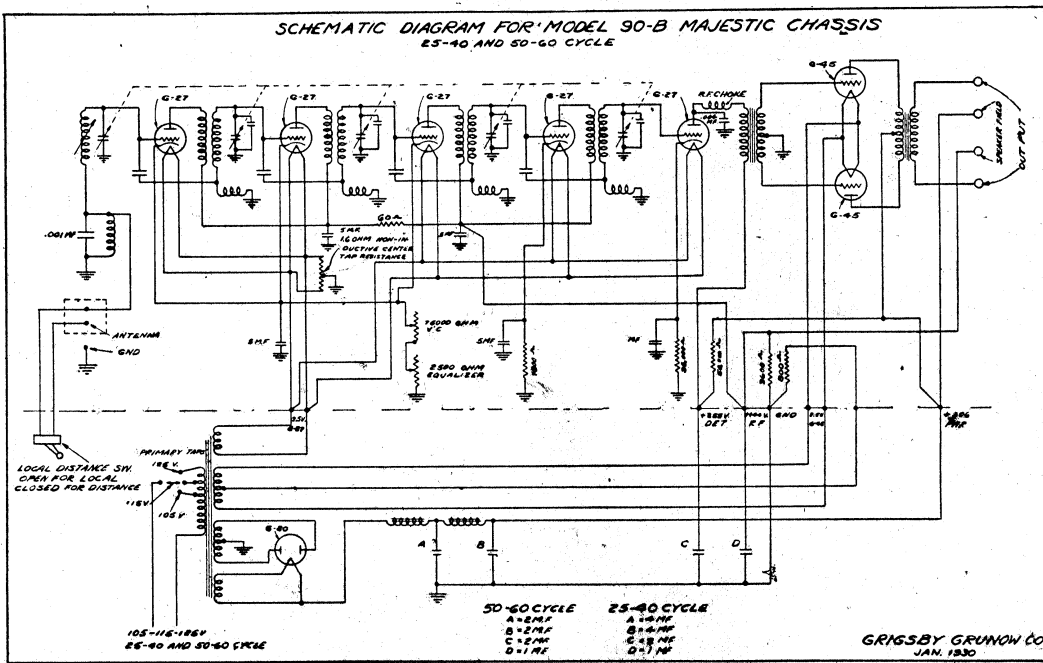
Resources

Riders Volume 1 - MAJESTIC 1-12

Riders Volume 1 - MAJESTIC 1-24

MODEL 90-B
MODEL 100-B

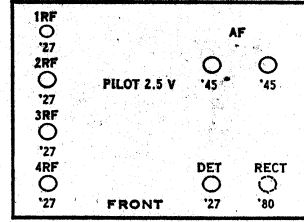
GRIGSBY - GRUNOW CO.



Line Voltage 112—Set on *Volt Tap—Volume Control
Position Full On
*Voltage Regulator Is Used

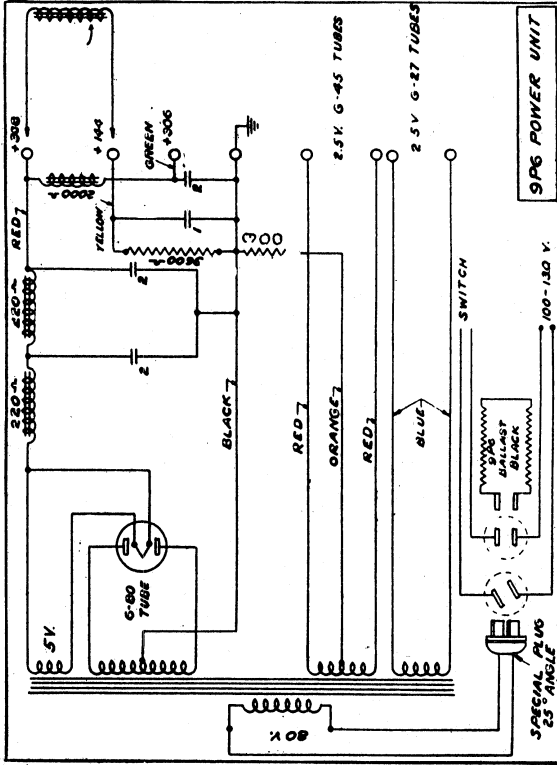
TUBE NO. IN ORDER	TYPE OF TUBE	POSITION OF TUBE 1ST. R.F. DET., ETC.	TUBE OUT		READINGS, PLUG IN SOCKET OF SET							
			A VOLTS	B VOLTS	A VOLTS	B VOLTS	C VOLTS	CATHODE CONTROL VOLTS	NORMAL HEATER VOLTS	PLATE M.A. TEST	PLATE M.A. CHANGE	SCREEN GRD VOLTS
1	27	1st RF	2.55	148	2.35	130	8	8	5.5	7.5	2.5	-
2	27	2nd RF	2.55	148	2.35	130	8	8	5.5	7.5	2.5	-
3	27	3rd RF	2.55	148	2.35	130	8	8	5.5	7.5	2.5	-
4	27	4th RF	2.55	148	2.35	130	9	9	5	7.2	2.2	-
5	27	Det.	2.55	306	2.35	270	30	30	1	1	1	-
6	245	Power	2.65	275	2.45	250	50	-	32	57	5	-
7	245	Power	2.65	275	2.45	250	50	-	32	57	5	-
8	380	-	-	-	-	-	-	-	100	-	-	-

Models Majestic 90, 91, 92, 101 (1929)

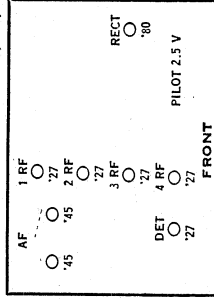


MODEL 9-P-3, 9-P-6
Schematic, Data

GRIGSBY - GRUNOW CO.

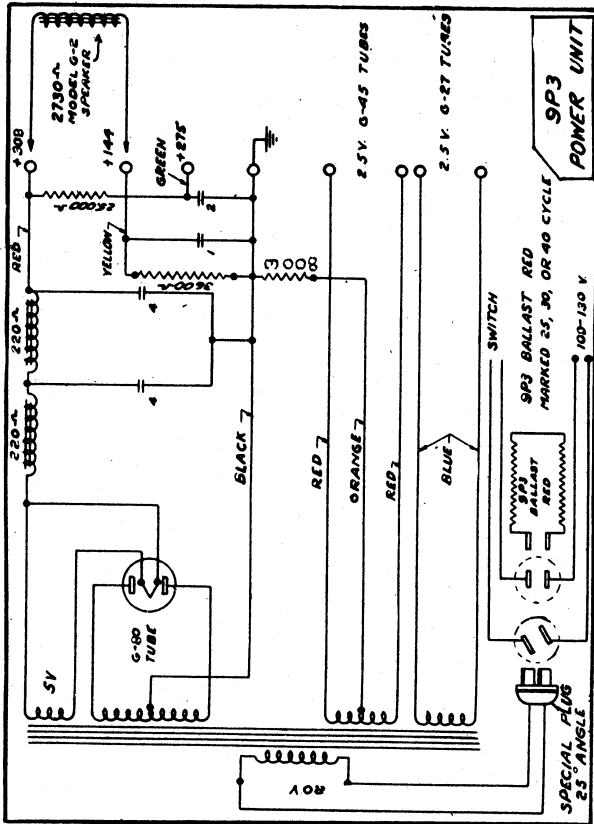


Models 90B, 91, 92, 93, 100B, 102, 103 (1930)



MAJESTIC—Model 91 and 92
Line Voltage 112—Set on *Volt Tap—Volume Control
Position Full On
*Voltage Regulator Is Used

TUBE NO. IN CHASSIS	TYPE OF TUBE	POSITION OF TUBE 1st, ETC.	TUBE OUT		TUBE IN TESTER		TUBE IN TESTER				
			VOLTS	WOLFS	WOLFS	WOLFS	PLATE	SCREEN			
27	1A5 RP	1	2.55	148	2.35	230	8	5.5	7.8	2.3	
27	2A4 RP	2	2.55	148	2.25	130	8	5.5	7.8	2.3	
27	3A4 RP	3	2.55	148	2.25	130	8	5.5	7.8	2.3	
27	4A4 RP	4	2.55	148	2.25	130	9	5	7.2	2.2	
27	5A4 RP	5	2.55	305	2.35	270	30	3	1	1	
245	POWER	6	2.65	275	2.45	250	50	—	32	37	5
380	POWER	7	2.65	275	2.45	250	50	—	32	37	5
									100	—	—



Coding of 1928 and 1929 Models

1. Parts with like part number in different assemblies and models are interchangeable others are not.

2. The following prefixes and model numbers are for 1928 apparatus assemblies:

- GA G1—Power Speaker for 7-A Chassis only
- 70-A 7-A—Chassis for 1928 No. 71 and No. 72 models only
- 60-A 6-A—Chassis for 1928 No. 61 and No. 62 models only
- 7P-6 Power Pack, 60 cycle for No. 7-A Chassis only
- 7P-3 Power Pack, 30 cycle for No. 7-A Chassis only
- 6P-6 Power Pack, 60 cycle for No. 6-A Chassis only
- 6P-3 Power Pack, 30 cycle for No. 6-A Chassis only

The following prefixes and model numbers are for 1929 apparatus assemblies.

- GB G2—Super Dynamic Speaker for 7-B Chassis and 180 Chassis
- 70B 7-B—Chassis for 1929 No. 71 and No. 72 models only
- 180 180—Chassis for 1929 No. 181 radio and phonograph combination
- 7-BP-6 Power Pack, 60 cycle for 7-B Chassis only
- 7-BP-3 Power Pack, 30 cycle for 7-B Chassis only
- 8-P-6 Power Pack, 60 cycle for 180 Chassis only
- 8-P-3 Power Pack, 25, 30, 40 cycle for 180 Chassis only